

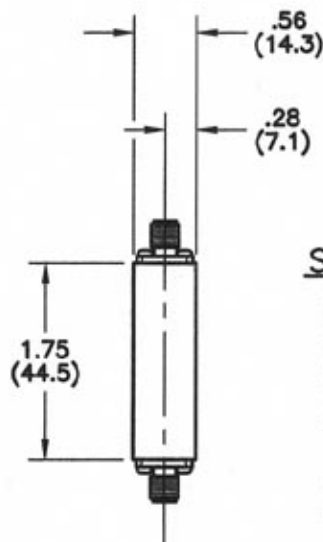
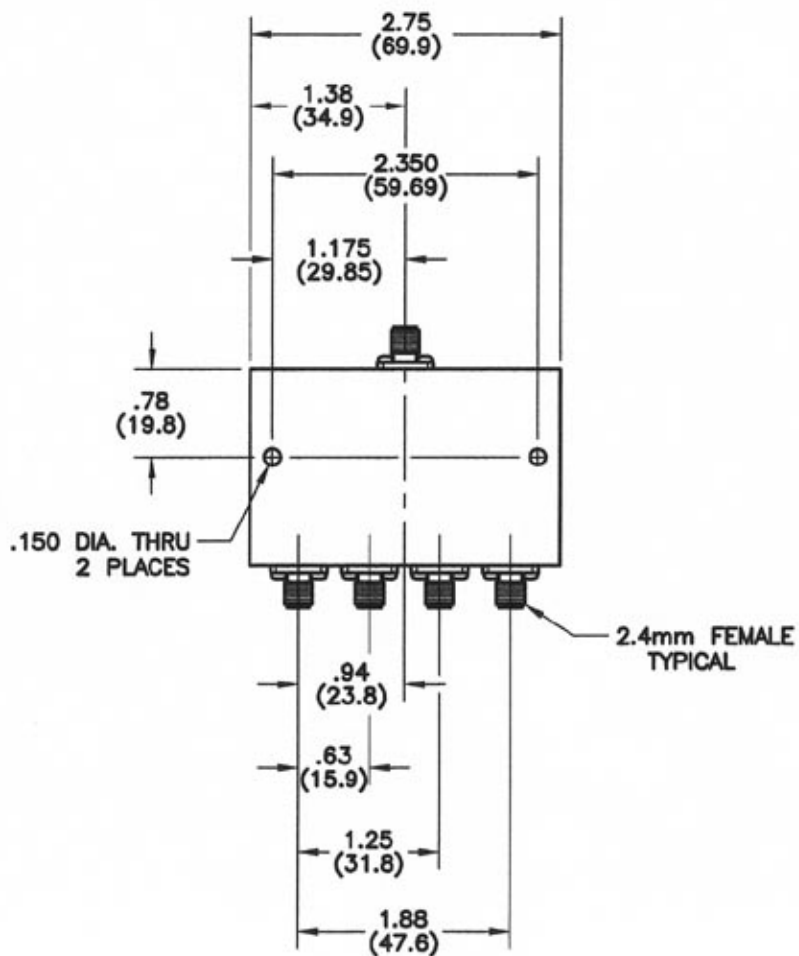
4

3

2

1

REVISIONS					
REV	ZONE	DESCRIPTION	DATE	BY	ECO
A	2C	CORRECTED FREQ. RANGE SPEC	2-8-07	GVC	--



### SPECIFICATIONS

FREQUENCY RANGE: 1.0 TO 2.0 GHz

INSERTION LOSS: 0.6 dB MAX.

ISOLATION: 20 dB MIN.

VSWR: INPUT - 1.40:1 MAX.

OUTPUT - 1.40:1 MAX.

POWER: 30 WATTS AVG. W/ LOAD VSWR

1.20:1 MAX.

DIMENSIONS: INCHES  
(MILLIMETERS)

#### TOLERANCES

DECIMAL ± .03 FRACTION ±

.XXX ± .010 ANG ±

MATERIAL

FINISH

THE INFORMATION CONTAINED IN THIS DOCUMENT IS THE PROPERTY OF MICROWAVE DEVICES, INC. AND IS PROPRIETARY. IT IS NOT TO BE COPIED OR USED FOR ANY PURPOSE OTHER THAN AS INSTRUCTED IN WRITING, BY MICROWAVE DEVICES, INC.

SIGNATURES DATE

DR G.V. Cothron 1-30-07

CHK

APPD

APPD

**Microwave Devices**

(By and Through Company)

OUTLINE, 4-WAY POWER  
DIVIDER, MODEL 4PD1.5-24

CAGE SIZE DRAWING NO.

60674 B

900636-3

DRAWING SCALE 1=1

SHEET 1 OF 1

CONTACT: MICROWAVE DEVICES - 1150 N. GRAHAM RD.  
(317) 734-8833 FRANKLIN, IN 46131

DIMENSIONS ARE IN INCHES UNLESS OTHERWISE SPECIFIED.

4

3

2

1