

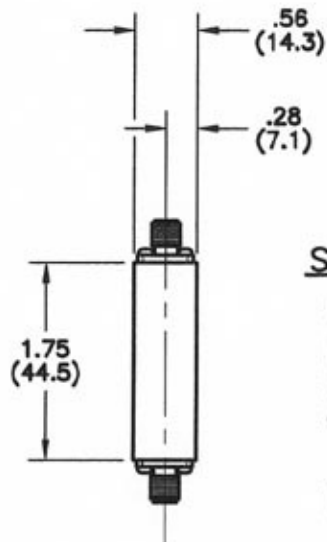
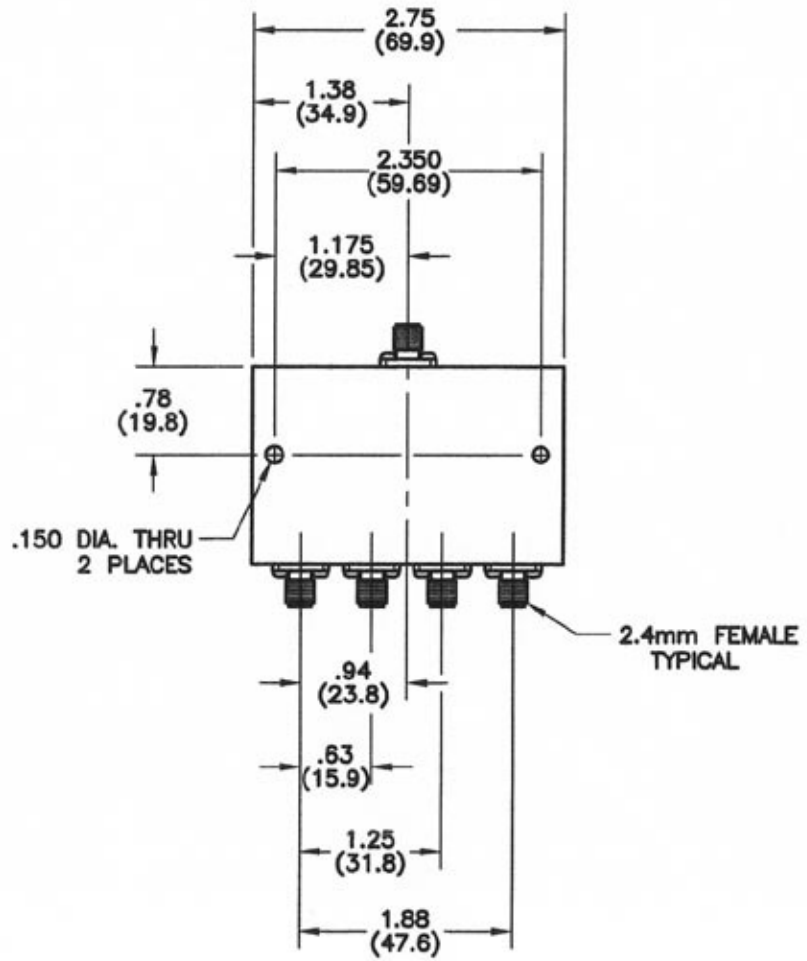
4

3

2

1

REVISIONS					
REV	ZONE	DESCRIPTION	DATE	BY	ECO



SPECIFICATIONS

- FREQUENCY RANGE: 1.0 TO 3.0 GHz
- INSERTION LOSS: 0.6 dB MAX.
- ISOLATION: 20 dB MIN.
- VSWR: INPUT - 1.40:1 MAX.
OUTPUT - 1.40:1 MAX.
- POWER: 30 WATTS AVG. W/ LOAD VSWR 1.20:1 MAX.

DIMENSIONS: INCHES
(MILLIMETERS)

TOLERANCES	
DEC.XX ± .03	FRNC ±
.XXX ± .010	ANG ±
MATERIAL	
FINISH	
SIGNATURES	
DR	G.V.Cothren
CHK	
APPD	
APPD	

Microwave Devices <small>(RF and Microwave Components)</small>	
OUTLINE, 4-WAY POWER DIVIDER, MODEL 4PD1.51-24	
CAGE	60674
SIZE	B
DRAWING NO.	900646-3
DRAWING SCALE	1=1
SHEET	1 OF 1

CONTACT: MICROWAVE DEVICES - 1150 N. GRAHAM RD.
FRANKLIN, IN 48131
(317) 736-8833

DIMENSIONS ARE IN INCHES UNLESS OTHERWISE SPECIFIED.

4

3

2

1