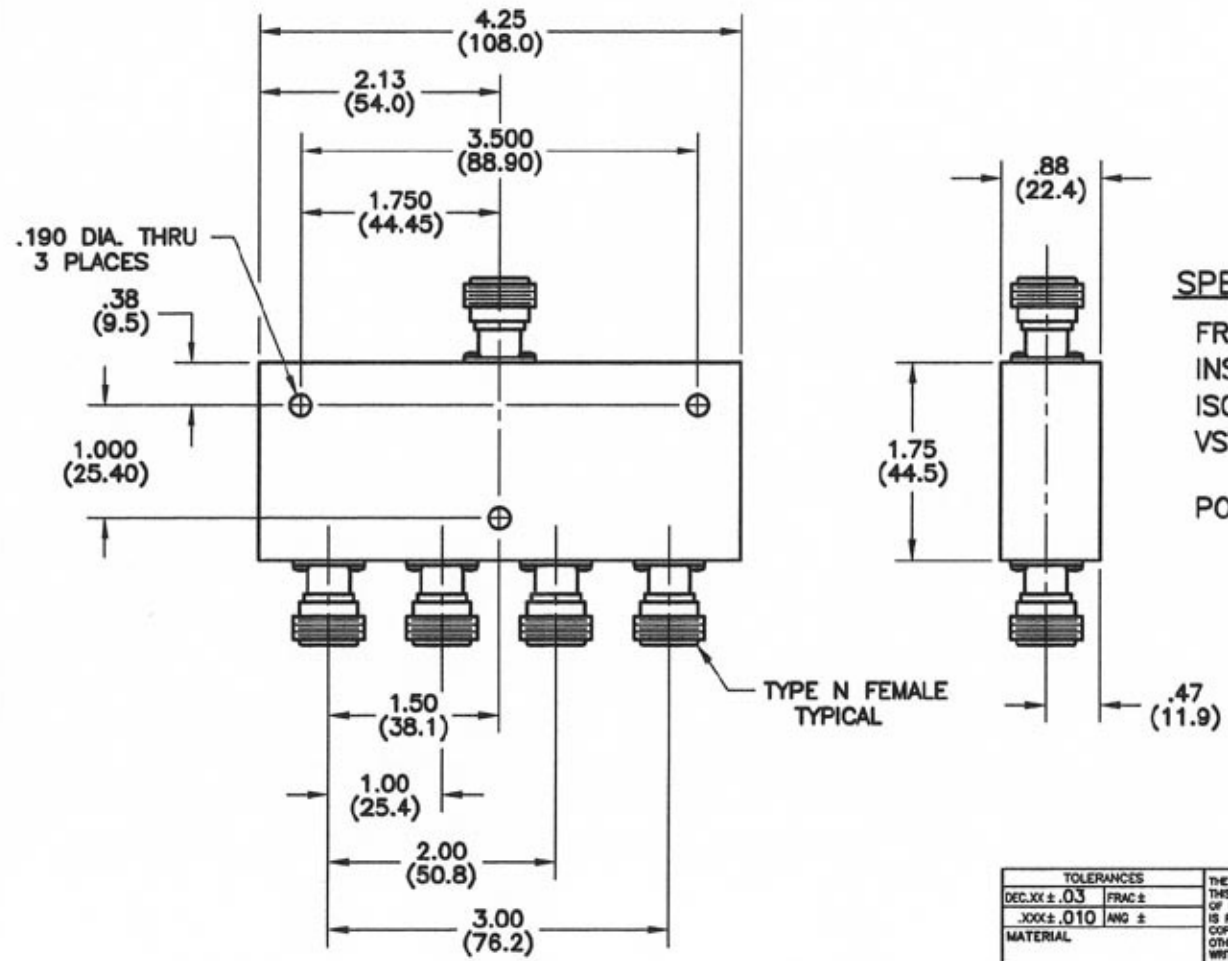


REVISIONS					
REV	ZONE	DESCRIPTION	DATE	BY	ECC



SPECIFICATIONS

FREQUENCY RANGE: 1.0 TO 3.0 GHz
 INSERTION LOSS: 0.6 dB MAX.
 ISOLATION: 20 dB MIN.
 VSWR: INPUT - 1.40:1 MAX.
 OUTPUT - 1.40:1 MAX.
 POWER: 30 WATTS AVG. W/ LOAD VSWR 1.20:1 MAX.

DIMENSIONS: INCHES (MILLIMETERS)

TOLERANCES		THE INFORMATION CONTAINED IN THIS DOCUMENT IS THE PROPERTY OF MICROWAVE DEVICES, INC. AND IS PROPRIETARY. IT IS NOT TO BE COPIED OR USED FOR ANY PURPOSE OTHER THAN AS INSTRUCTED, IN WRITING, BY MICROWAVE DEVICES, INC.
DEC.XX ± .03	FRAC ±	
.XXX ± .010	ANG ±	
MATERIAL		
FINISH		SIGNATURES
		DATE
		DR G.V.Cothren 2-9-07
		CHK
		APPD
		APPD

MICROWAVE DEVICES
RF and Microwave Components

**OUTLINE, 4PD1.51N
 4 WAY POWER DIVIDER**

CAGE	SIZE	DRAWING NO.
60674	B	900646
DRAWING SCALE 1=1		SHEET 1 OF 1

CONTACT: MICROWAVE DEVICES - 1150 N. GRAHAM RD. FRANKLIN, IN 46131 (317) 736-8833 DIMENSIONS ARE IN INCHES UNLESS OTHERWISE SPECIFIED.