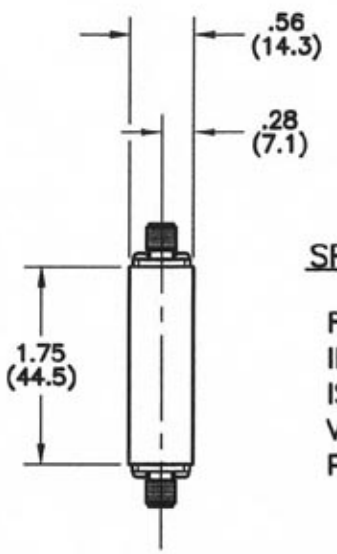
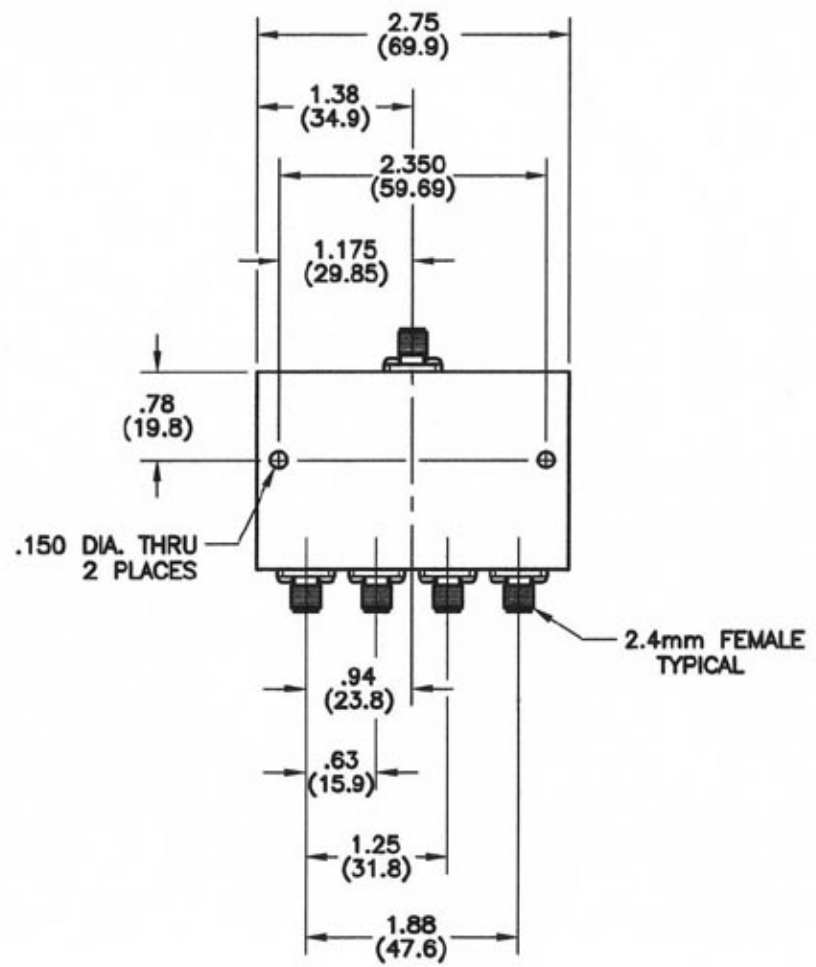


REVISIONS					
REV	ZONE	DESCRIPTION	DATE	BY	ECO
A	2C	REVISED VSWR SPECIFICATION	2-7-07	GVC	--



SPECIFICATIONS

FREQUENCY RANGE: 800 TO 3000 MHz
 INSERTION LOSS: 0.5 dB MAX.
 ISOLATION: 20 dB MIN.
 VSWR: 1.35:1 TYP.
 POWER: 30 WATTS AVG. W/ LOAD VSWR 1.20:1 MAX.

DIMENSIONS: INCHES (MILLIMETERS)

CONTACT: MICROWAVE DEVICES - 1150 N. GRAHAM RD. FRANKLIN, IN 46131 (317) 736-8833

TOLERANCES	
DEC.XY ± .03	FRAC ±
XXX ± .010	ANG ±
MATERIAL	
FINISH	

THE INFORMATION CONTAINED IN THIS DOCUMENT IS THE PROPERTY OF MICROWAVE DEVICES, INC. AND IS PROPRIETARY. IT IS NOT TO BE COPIED OR USED FOR ANY PURPOSE OTHER THAN AS INSTRUCTED, IN WRITING, BY MICROWAVE DEVICES, INC.	
SIGNATURES	DATE
DR G.V.Cothren	1-30-07
CHK	
APPD	
APPD	

MICROWAVE DEVICES
 RF and Microwave Components

OUTLINE, 4-WAY POWER DIVIDER, MODEL 4PD1.9-24

CAGE	SIZE	DRAWING NO.
60674	B	900511-4
DRAWING SCALE 1=1		SHEET 1 OF 1