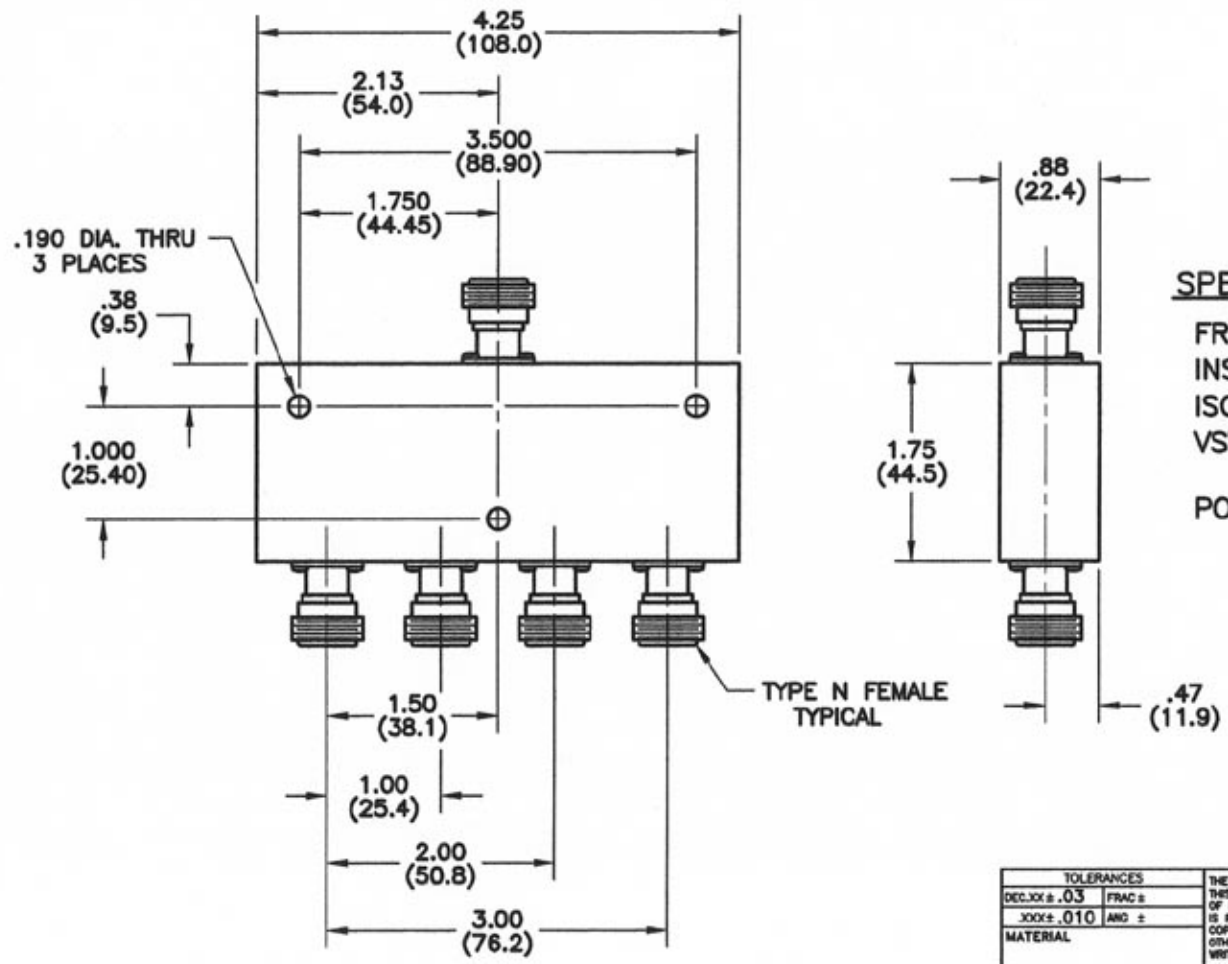



REVISIONS					
REV	ZONE	DESCRIPTION	DATE	BY	ECO



### SPECIFICATIONS

FREQUENCY RANGE: 1.5 TO 3.0 GHz  
 INSERTION LOSS: 0.6 dB MAX.  
 ISOLATION: 20 dB MIN.  
 VSWR: INPUT - 1.40:1 MAX.  
 OUTPUT - 1.40:1 MAX.  
 POWER: 30 WATTS AVG. W/ LOAD VSWR 1.20:1 MAX.

DIMENSIONS: INCHES (MILLIMETERS)

TOLERANCES		THE INFORMATION CONTAINED IN THIS DOCUMENT IS THE PROPERTY OF MICROWAVE DEVICES, INC. AND IS PROPRIETARY. IT IS NOT TO BE COPIED OR USED FOR ANY PURPOSE OTHER THAN AS INSTRUCTED, IN WRITING, BY MICROWAVE DEVICES, INC.	 <small>RF and Microwave Components</small>		
DECIMAL ± .03	FRACTION ±				
MATERIAL			SIGNATURES		
FINISH		DR	G.V.Cothren	DATE	2-9-07
APPD		CHK		CAGE	
APPD		APPD		60674	SIZE
APPD		APPD		B	DRAWING NO.
APPD		APPD		900647	
APPD		APPD		DRAWING SCALE 1=1	
APPD		APPD		SHEET 1 OF 1	

CONTACT: MICROWAVE DEVICES - 1150 N. GRAHAM RD. FRANKLIN, IN 46131 (317) 736-8833

DIMENSIONS ARE IN INCHES UNLESS OTHERWISE SPECIFIED.