

# SPECIFICATIONS

FREQUENCY RANGE: DC TO 3.0 GHz

IMPEDANCE: 50 OHMS

ATTENUATION VALUES: 1 - 40dB IN ANY INCREMENT

ACCURACY:  $\pm 0.8$  dB

VSWR: 1.20:1 (DC - 2.0 GHz)

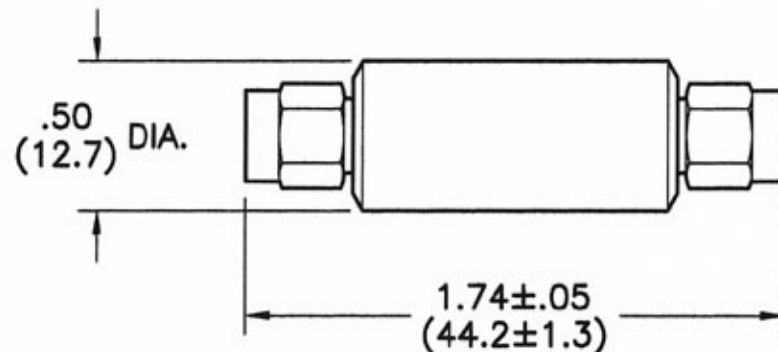
1.30:1 (2.0 - 3.0 GHz)

INPUT POWER: 2 WATTS, 1,000 WATTS PEAK

OPERATING TEMP: -55 TO +125 °C

CONNECTORS: SMA MALE/MALE

REVISIONS				
REV	DESCRIPTION	DATE	BY	ECO



DIMENSIONS: INCHES  
(MILLIMETERS)

TOLERANCES	
DEC.XX $\pm$ .03	FRAC $\pm$
.XXX $\pm$ .010	ANG $\pm$
MATERIAL	
FINISH	

THE INFORMATION CONTAINED IN THIS DOCUMENT IS THE PROPERTY OF MICROWAVE DEVICES, INC. AND IS PROPRIETARY. IT IS NOT TO BE COPIED OR USED FOR ANY PURPOSE OTHER THAN AS INSTRUCTED, IN WRITING, BY MICROWAVE DEVICES, INC.		
SIGNATURES		DATE
DR	G.V.Cothren	12-28-07
CHK		
APPD		
APPD		

<b>Microwave Devices</b> RF and Microwave Components		
OUTLINE DRAWING, MA-50 SMA M/M CONNECTORS		
CAGE	SIZE	DRAWING NO.
60674	A	900730-3
DRAWING SCALE		SHEET 1 OF 1
~~		

CONTACT: MICROWAVE DEVICES - 1150 N. GRAHAM RD.  
(317) 736-8833 FRANKLIN, IN 46131

DIMENSIONS ARE IN INCHES UNLESS OTHERWISE SPECIFIED.