

# SPECIFICATIONS

FREQUENCY RANGE: DC TO 2.0 GHz

IMPEDANCE: 50 OHMS

ATTENUATION VALUES: 1 – 40dB IN ANY INCREMENT

ACCURACY: ±0.8 dB

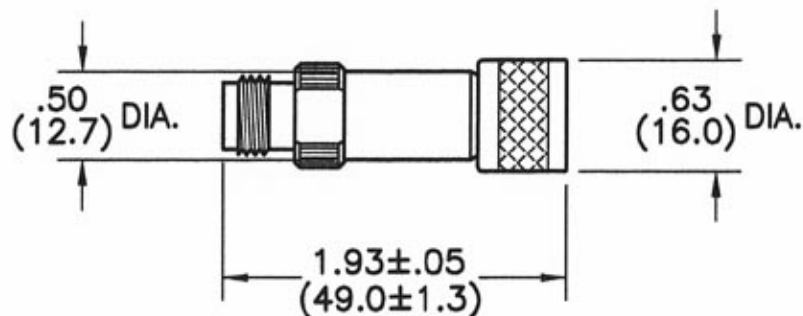
VSWR: 1.20:1

INPUT POWER: 2 WATTS, 1,000 WATTS PEAK

OPERATING TEMP: -55 TO +125 °C

CONNECTORS: TNC MALE/FEMALE

REVISIONS				
REV	DESCRIPTION	DATE	BY	ECO



DIMENSIONS: INCHES  
(MILLIMETERS)

TOLERANCES	
DEC.XX ± .03	FRAC ±
.XXX ± .010	ANG ±
MATERIAL	
FINISH	
DIMENSIONS ARE IN INCHES UNLESS OTHERWISE SPECIFIED.	

THE INFORMATION CONTAINED IN THIS DOCUMENT IS THE PROPERTY OF MICROWAVE DEVICES, INC. AND IS PROPRIETARY. IT IS NOT TO BE COPIED OR USED FOR ANY PURPOSE OTHER THAN AS INSTRUCTED, IN WRITING, BY MICROWAVE DEVICES, INC.			
SIGNATURES		DATE	
DR	G.V.Cothren	12-30-07	
CHK			
APPD			
APPD			

<b>MICROWAVE DEVICES</b> RF and Microwave Components			
OUTLINE DRAWING, MA-50A TNC M/F CONNECTORS			
CAGE	SIZE	DRAWING NO.	
60674	A	900732-1	
DRAWING SCALE			SHEET 1 OF 1
1:1			