

SPECIFICATIONS

FREQUENCY RANGE: DC TO 2.0 GHz

IMPEDANCE: 75 OHMS

ATTENUATION VALUES: 1 – 40dB IN ANY INCREMENT

ACCURACY: $\pm 0.5\text{dB}$ OR 5%, WHICHEVER IS GREATER

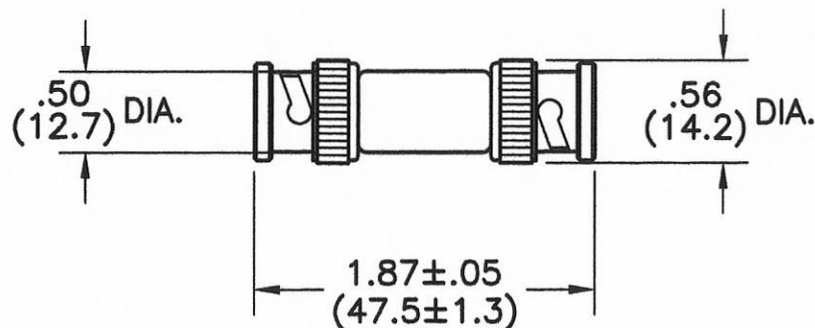
VSWR: 1.20:1

INPUT POWER: 2 WATTS, 1,000 WATTS PEAK

OPERATING TEMP: -55 TO $+125$ °C

CONNECTORS: BNC MALE/MALE

REVISIONS				
REV	DESCRIPTION	DATE	BY	ECO



DIMENSIONS: INCHES
(MILLIMETERS)

TOLERANCES		THE INFORMATION CONTAINED IN THIS DOCUMENT IS THE PROPERTY OF MICROWAVE DEVICES, INC. AND IS PROPRIETARY. IT IS NOT TO BE COPIED OR USED FOR ANY PURPOSE OTHER THAN AS INSTRUCTED, IN WRITING, BY MICROWAVE DEVICES, INC.	MICROWAVE DEVICES RF and Microwave Components		
DEC.XX \pm .03	FRAC \pm		OUTLINE DRAWING, MA-75A BNC M/M CONNECTORS		
.XXX \pm .010	ANG \pm				
MATERIAL		SIGNATURES		DATE	
FINISH		DR	G.V.Cothren	12-27-07	
		CHK			
		APPD			
		APPD			
		CAGE	60674	SIZE	
		DRAWING NO.	900724-3		
		DRAWING SCALE	1:1		
		SHEET	1 OF 1		

CONTACT: MICROWAVE DEVICES - 1150 N. GRAHAM RD.
(317) 736-8833 FRANKLIN, IN 46131

DIMENSIONS ARE IN INCHES UNLESS OTHERWISE SPECIFIED.