

# SPECIFICATIONS

FREQUENCY RANGE: DC TO 2.0 GHz

IMPEDANCE: 75 OHMS

ATTENUATION VALUES: 1 – 40dB IN ANY INCREMENT

ACCURACY: ±0.5dB OR 5%, WHICHEVER IS GREATER

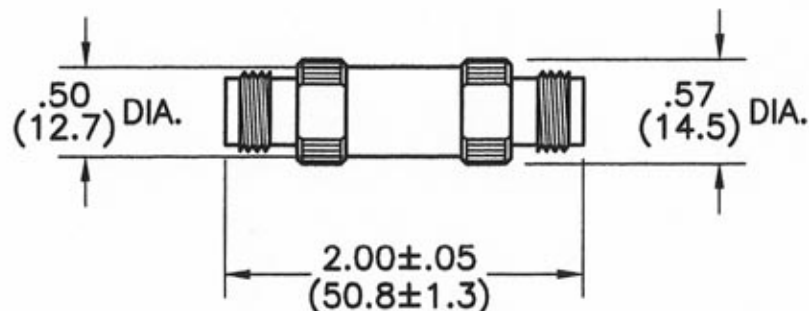
VSWR: 1.20:1

INPUT POWER: 2 WATTS, 1,000 WATTS PEAK

OPERATING TEMP: -55 TO +125 °C

CONNECTORS: TNC FEMALE/FEMALE

| REVISIONS |             |      |    |     |
|-----------|-------------|------|----|-----|
| REV       | DESCRIPTION | DATE | BY | ECO |
|           |             |      |    |     |



DIMENSIONS: INCHES  
(MILLIMETERS)

| TOLERANCES   |        |
|--------------|--------|
| DEC.XX ± .03 | FRAC ± |
| .XXX ± .010  | ANG ±  |
| MATERIAL     |        |
| FINISH       |        |

THE INFORMATION CONTAINED IN THIS DOCUMENT IS THE PROPERTY OF MICROWAVE DEVICES, INC. AND IS PROPRIETARY. IT IS NOT TO BE COPIED OR USED FOR ANY PURPOSE OTHER THAN AS INSTRUCTED, IN WRITING, BY MICROWAVE DEVICES, INC.

| SIGNATURES |             | DATE     |
|------------|-------------|----------|
| DR         | G.V.Cothren | 12-27-07 |
| CHK        |             |          |
| APPD       |             |          |
| APPD       |             |          |

**Microwave Devices**  
RF and Microwave Components

OUTLINE DRAWING, MA-75A  
TNC F/F CONNECTORS

|               |      |              |
|---------------|------|--------------|
| CAGE          | SIZE | DRAWING NO.  |
| 60674         | A    | 900725-2     |
| DRAWING SCALE |      | SHEET 1 OF 1 |
| 1:1           |      |              |

CONTACT: MICROWAVE DEVICES - 1150 N. GRAHAM RD.  
(317) 736-8833 FRANKLIN, IN 46131

DIMENSIONS ARE IN INCHES UNLESS OTHERWISE SPECIFIED.