

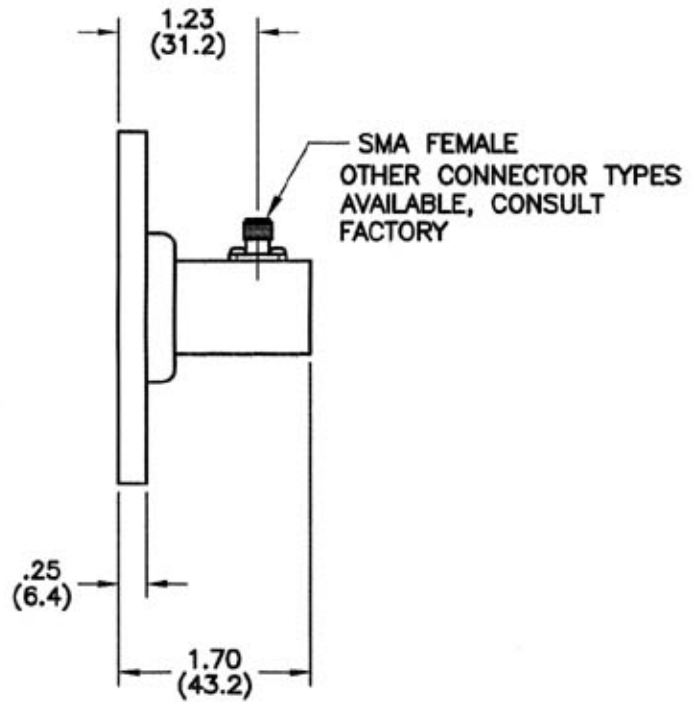
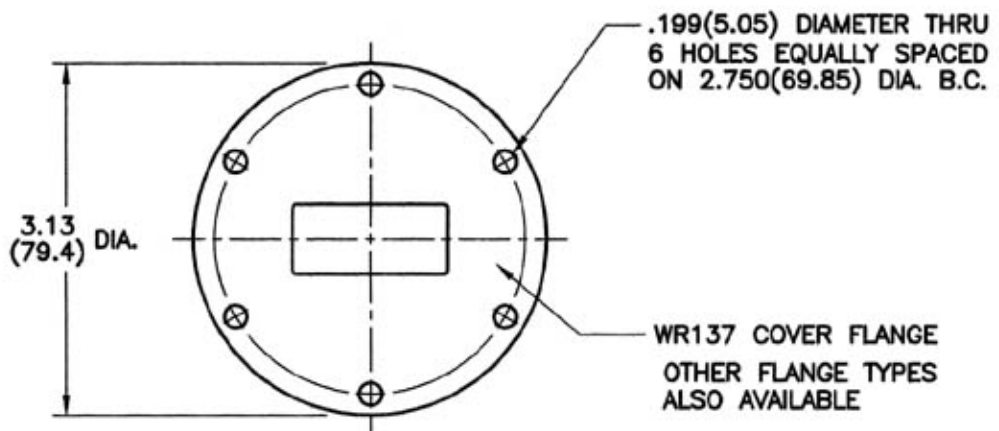
4

3

2

1

REVISIONS				
REV	ZONE	DESCRIPTION	DATE	BY ECO



### SPECIFICATIONS

FREQUENCY RANGE: 5.85 TO 8.20 GHz  
 INSERTION LOSS: 0.20 dB MAX.  
 VSWR: 1.15:1 NOM., 1.25:1 MAX. (ENTIRE BAND)  
 POWER RATING: 50 W. AVG., 3.0 kW PEAK  
 CONNECTOR: SMA FEMALE  
 MATERIAL: ALUMINUM, STD. - BRASS OR COPPER AVAILABLE  
 FINISH: YELLOW CHROMATE (IRIDITE) PAINTED FINISHES AVAILABLE

DIMENSIONS IN INCHES  
(MILLIMETERS)

TOLERANCES		THE INFORMATION CONTAINED IN THIS DOCUMENT IS THE PROPERTY OF MICROWAVE DEVICES, INC. AND IS PROPRIETARY. IT IS NOT TO BE COPIED OR USED FOR ANY PURPOSE OTHER THAN AS INSTRUCTED, IN WRITING, BY MICROWAVE DEVICES, INC.		
DEC.XX ± .03	FRAC ±		<b>ADAPTER, WAVEGUIDE TO COAX, WA137-SF-C</b>	
.XXX ± .010	ANG ±			
MATERIAL			CAGE SIZE DRAWING NO. 60674 B 900807	
FINISH		DRAWING SCALE 1=1 SHEET 1 OF 1		
SIGNATURES		DATE		DR G.V.Cothren 8-11-09 CHK APPD APPD

CONTACT: MICROWAVE DEVICES - 1180 N. GRAHAM RD. FRANKLIN, IN 46131 (317) 736-5833

DIMENSIONS ARE IN INCHES UNLESS OTHERWISE SPECIFIED.

4

3

2

1