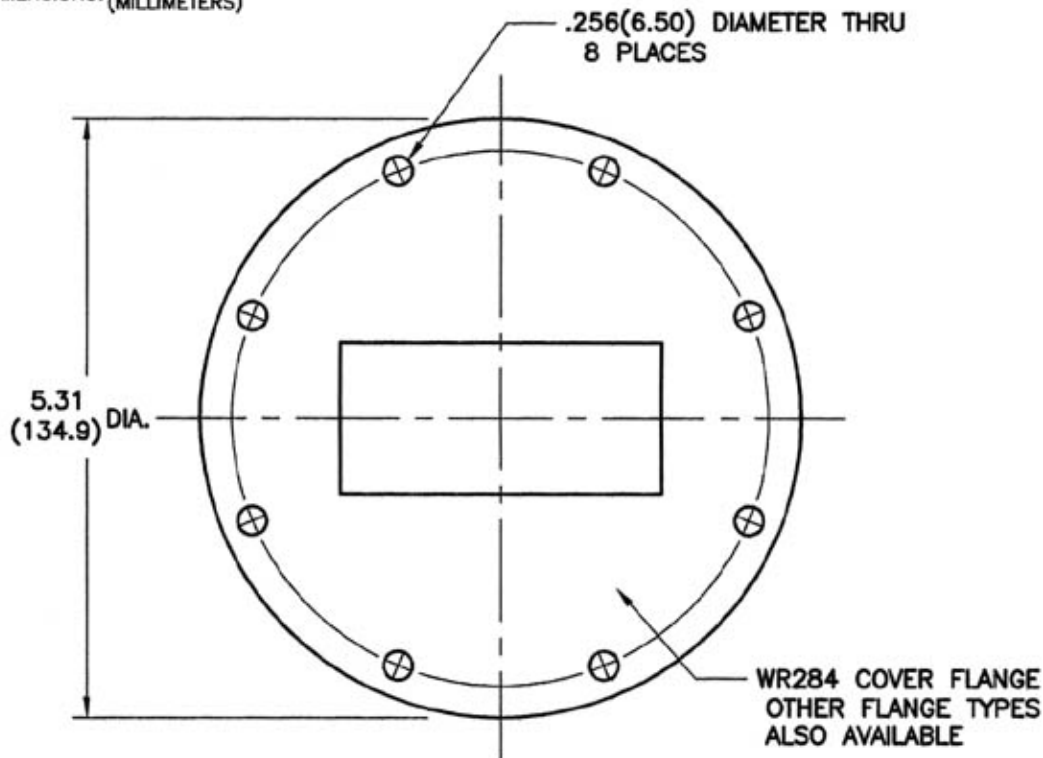
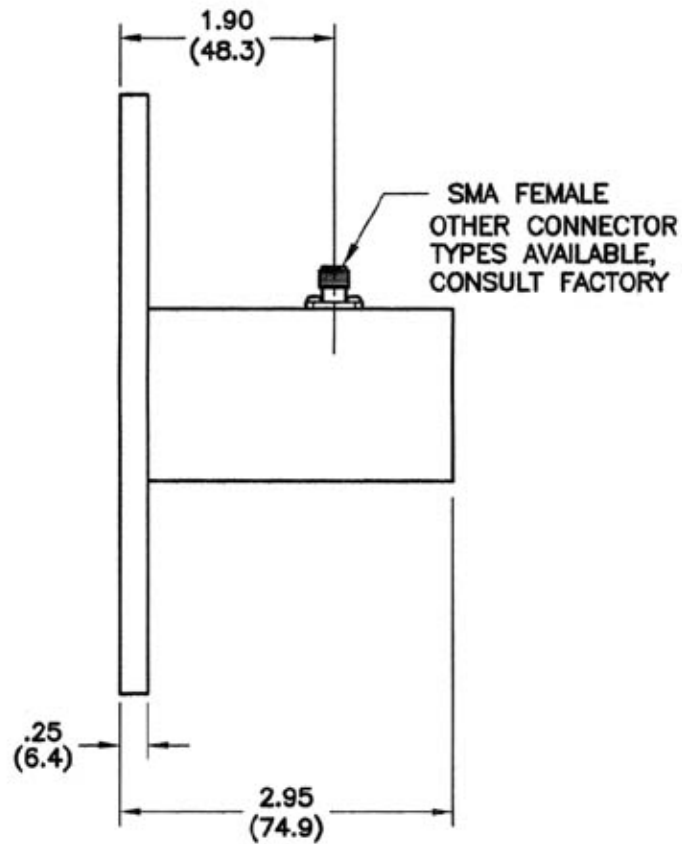


DIMENSIONS: INCHES
(MILLIMETERS)



REVISIONS				
REV	ZONE	DESCRIPTION	DATE	BY ECO



SPECIFICATIONS

FREQUENCY RANGE: 2.60 TO 3.95 GHz
 INSERTION LOSS: 0.15 dB MAX.
 VSWR: 1.15:1 NOM., 1.25:1 MAX. (ENTIRE BAND)
 POWER RATING: 50 W. AVG., 3.0 KW PEAK
 CONNECTOR: SMA FEMALE
 MATERIAL: ALUMINUM, STD. - BRASS OR COPPER AVAILABLE
 FINISH: YELLOW CHROMATE (IRIDITE) PAINTED FINISHES AVAILABLE

TOLERANCES		THE INFORMATION CONTAINED IN THIS DOCUMENT IS THE PROPERTY OF MICROWAVE DEVICES, INC. AND IS PROPRIETARY. IT IS NOT TO BE COPIED OR USED FOR ANY PURPOSE OTHER THAN AS INSTRUCTED, IN WRITING, BY MICROWAVE DEVICES, INC.	 <small>RF and Microwave Components</small>
DEC.XX ± .03	FRNC ±		
.XXX ± .010	ANG ±		
MATERIAL			
FINISH	SIGNATURES	DATE	
	DR	G.V.Cothren	8-13-09
	CHK		
	APPD		
	APPD		

ADAPTER, WAVEGUIDE TO COAX, WA284-SF-C

CAGE	SIZE	DRAWING NO.
60674	B	900811
DRAWING SCALE	1=1	SHEET 1 OF 1

CONTACT: MICROWAVE DEVICES - 1150 N. GRAHAM RD. FRANKLIN, IN 46131
 (317) 736-6833
 DIMENSIONS ARE IN INCHES UNLESS OTHERWISE SPECIFIED.