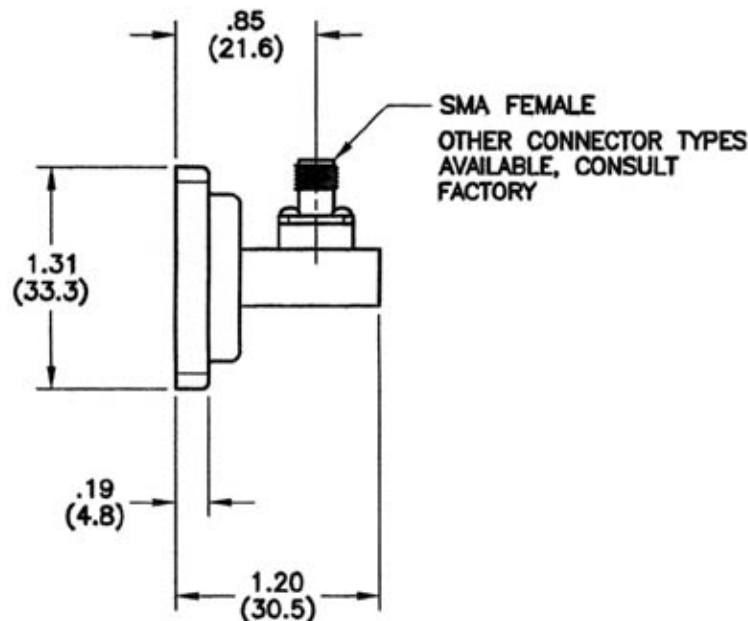
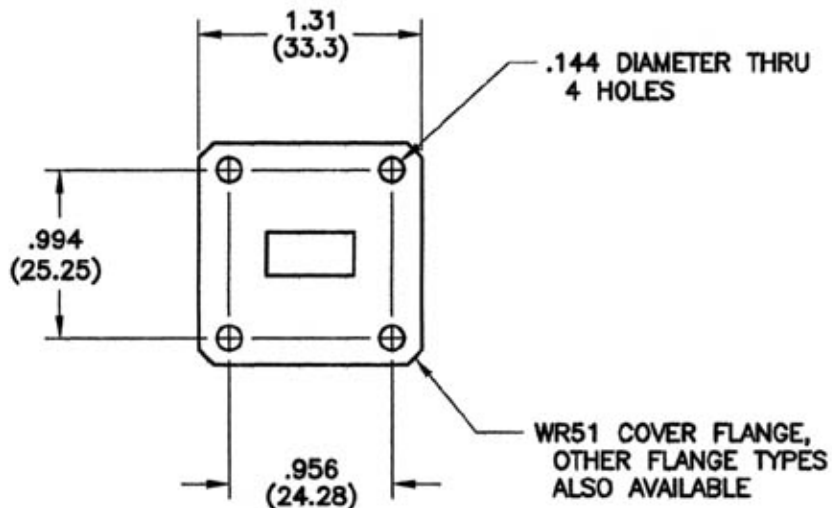



REVISIONS					
REV	ZONE	DESCRIPTION	DATE	BY	ECO
A	4A	ADDED SPECIFICATIONS	8-10-09	GVC	--



SPECIFICATIONS

FREQUENCY RANGE: 15.0 TO 22.0 GHz
 INSERTION LOSS: 0.29 dB MAX.
 VSWR: 1.15:1 NOM., 1.25:1 MAX. (ENTIRE BAND)
 POWER RATING: 50 W. AVG., 3.0 KW PEAK
 CONNECTOR: SMA FEMALE
 MATERIAL: ALUMINUM, STD. - BRASS OR COPPER AVAILABLE
 FINISH: YELLOW CHROMATE (IRIDITE) PAINTED FINISHES AVAILABLE

DIMENSIONS: INCHES
(MILLIMETERS)

TOLERANCES		THE INFORMATION CONTAINED IN THIS DOCUMENT IS THE PROPERTY OF MICROWAVE DEVICES, INC. AND IS PROPRIETARY. IT IS NOT TO BE COPIED OR USED FOR ANY PURPOSE OTHER THAN AS INSTRUCTED, IN WRITING, BY MICROWAVE DEVICES, INC.	 <small>(If and Wherever Applicable)</small>	
DEC.XX ± .03	FRAC ±			
.XXX ± .010	ANG ±			
MATERIAL	FINISH		SIGNATURES	DATE
			DR G.V. Cothron	B-7-07
			CHK	
			APPO	
			APPO	
CAGE		SIZE	DRAWING NO.	
60674		B	900703	
DRAWING SCALE		1.5:1	SHEET 1 OF 1	

CONTACT: MICROWAVE DEVICES - 1150 N. GRAHAM RD.
(317) 736-8033 FRANKLIN, IN 48131

DIMENSIONS ARE IN INCHES UNLESS OTHERWISE SPECIFIED.