

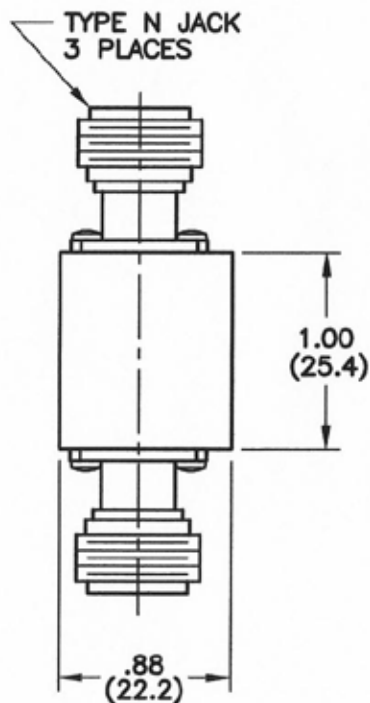
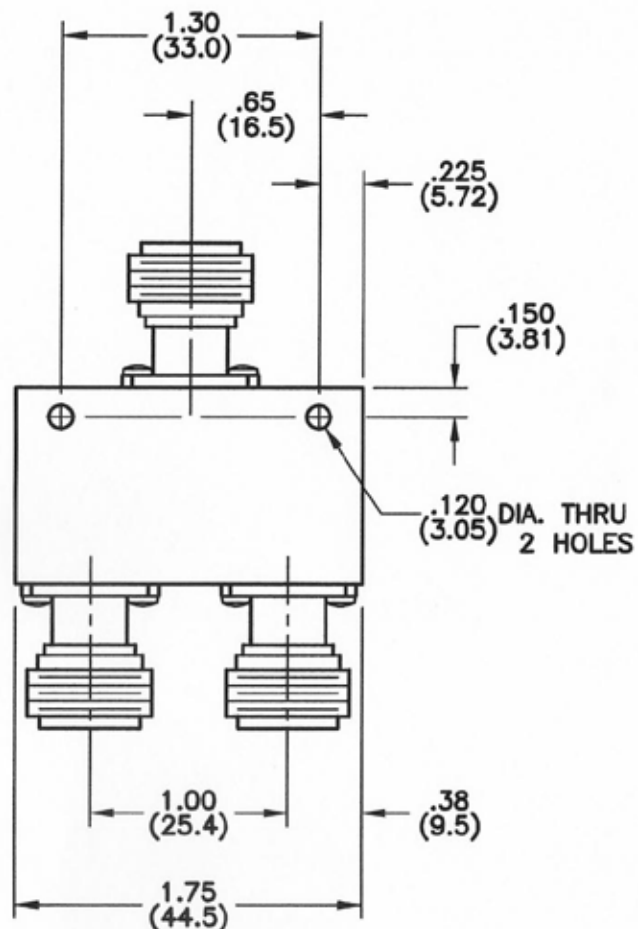
4

3

2

1

REVISIONS					
REV	ZONE	DESCRIPTION	DATE	BY	ECO



### SPECIFICATIONS:

FREQUENCY: 0.8 - 3.0 GHz

ISOLATION: 28dB TYP., 25dB MIN.

VSWR: 1.20:1 MAX.

INSERTION LOSS: 0.5dB MAX, 0.3 dB TYP

POWER: 30 WATTS AVG., WITH LOAD  
VSWR OF 1.20:1 OR BETTER

DIMENSIONS: INCHES  
(MILLIMETERS)

TOLERANCES	
DEC.XI ± .03	FRACTION ±
XXX ± .010	ANG ±
MATERIAL	
FINISH	
CHK	
APPD	
APPD	

THE INFORMATION CONTAINED IN THIS DOCUMENT IS THE PROPERTY OF MICROWAVE DEVICES, INC. AND IS PROPRIETARY. IT IS NOT TO BE COPIED OR USED FOR ANY PURPOSE OTHER THAN AS INSTRUCTED IN WRITING, BY MICROWAVE DEVICES, INC.

SIGNATURES		DATE
DR	G.V. Cothron	12-8-08

CAGE	SIZE	DRAWING NO.
60674	B	900632-2
DRAWING SCALE		SHEET 1 OF 1

**MICROWAVE DEVICES**  
RF and Microwave Components

OUTLINE, MODEL 2PD1.9-N  
2-WAY DIVIDER, TYPE N

CAGE	SIZE	DRAWING NO.
60674	B	900632-2
DRAWING SCALE		SHEET 1 OF 1

CONTACT: MICROWAVE DEVICES - 1150 N. GRAHAM RD.  
(317) 736-8833 FRANKLIN, IN 46131

DIMENSIONS ARE IN INCHES UNLESS OTHERWISE SPECIFIED.

4

3

2

1