

SPECIFICATIONS:

FREQUENCY: 1.0 - 3.0 GHz

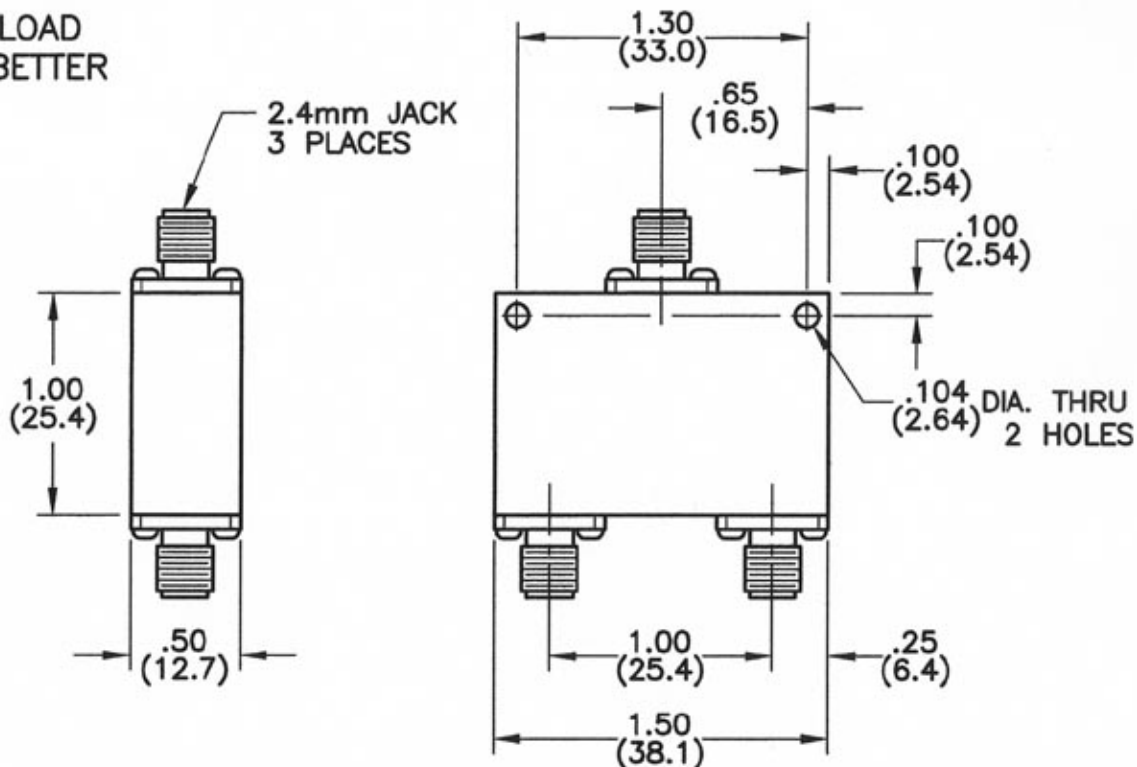
ISOLATION: 28dB TYP., 25dB MIN.

VSWR: 1.20:1 MAX.

INSERTION LOSS: 0.5dB MAX, 0.3 dB TYP.

POWER: 30 WATTS AVG., WITH LOAD
VSWR OF 1.20:1 OR BETTER

REVISIONS				
REV	DESCRIPTION	DATE	BY	ECO



DIMENSIONS: INCHES
(MILLIMETERS)

TOLERANCES	
DEC.XX ± .03	FRAC ±
.XXX ± .010	ANG ±
MATERIAL	
FINISH	
DIMENSIONS ARE IN INCHES UNLESS OTHERWISE SPECIFIED.	

THE INFORMATION CONTAINED IN THIS DOCUMENT IS THE PROPERTY OF MICROWAVE DEVICES, INC. AND IS PROPRIETARY. IT IS NOT TO BE COPIED OR USED FOR ANY PURPOSE OTHER THAN AS INSTRUCTED, IN WRITING, BY MICROWAVE DEVICES, INC.			
SIGNATURES		DATE	
DR	G.V.Cothren	2-1-07	
CHK			
APPD			
APPD			

Microwave Devices
RF and Microwave Components

OUTLINE, MODEL 2PD2.0-24
2-WAY DIVIDER, 2.4mm

CAGE	SIZE	DRAWING NO.
60674	A	900479-3

DRAWING SCALE 1.25:1 SHEET 1 OF 1