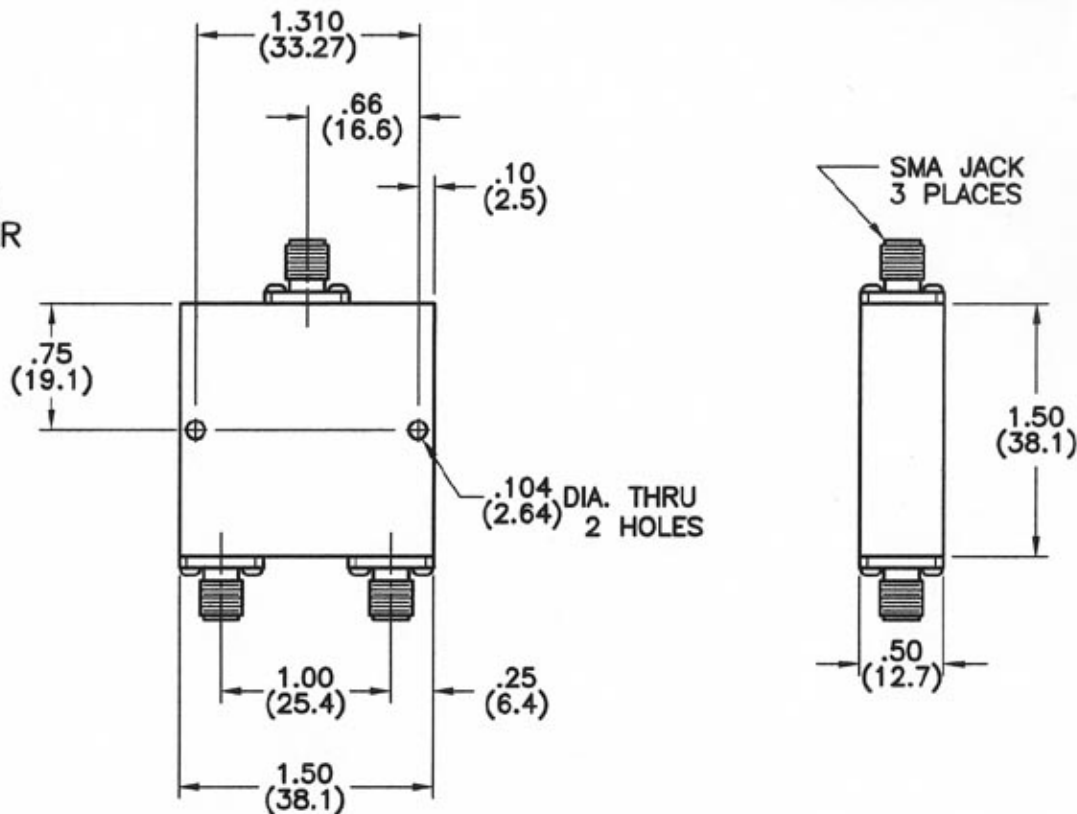


SPECIFICATIONS:

FREQUENCY: 2.0 - 4.0 GHz
 ISOLATION: 20 dB MIN.
 VSWR: 1.30:1 MAX.
 INSERTION LOSS: 0.3 dB MAX.
 POWER: 30 WATTS AVG., WITH LOAD
 VSWR OF 1.20:1 OR BETTER

REVISIONS				
REV	ZONE	DESCRIPTION	DATE	BY
A	4D	ADDED POWER SPECIFICATION	2-1-07	GVC



DIMENSIONS: INCHES (MILLIMETERS)

TOLERANCES	
DEC.XX ± .03	FRAC ±
.XXX ± .010	ANG ±
MATERIAL	
FINISH	
SIGNATURES	
DR	G.V.Coithron
CHK	
APPD	
APPD	

Microwave Devices RF and Microwave Components	
OUTLINE, MODEL 2PD3.0S 2-WAY DIVIDER, SMA	
CAGE	SIZE
60674	B
DRAWING NO.	900493
DRAWING SCALE	SHEET 1 OF 1
1.5:1	

CONTACT: MICROWAVE DEVICES - 1150 N. GRAHAM RD. FRANKLIN, IN 46131 (317) 736-8833

DIMENSIONS ARE IN INCHES UNLESS OTHERWISE SPECIFIED.