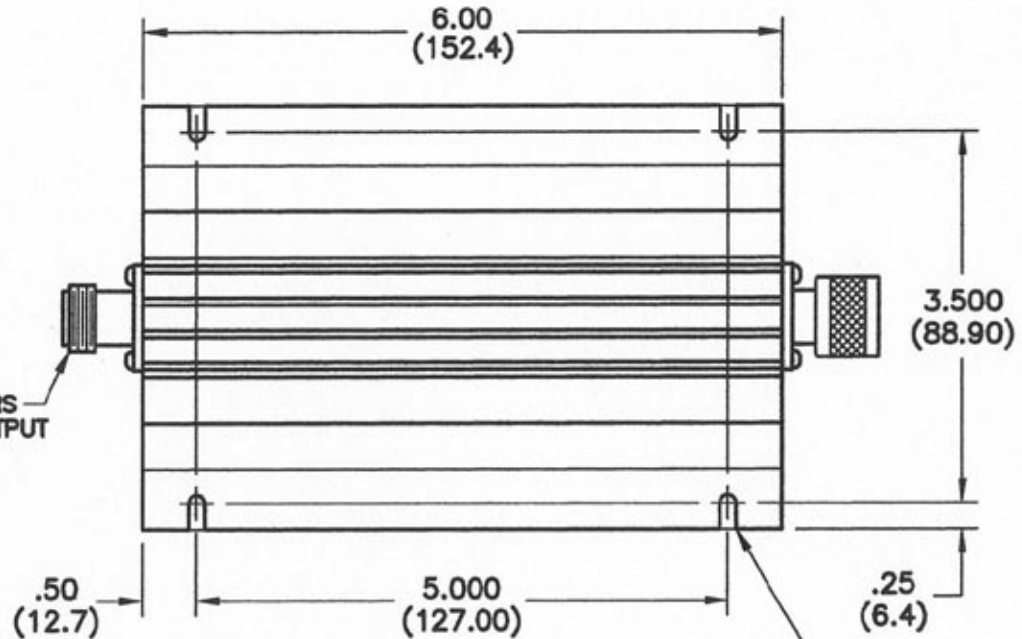
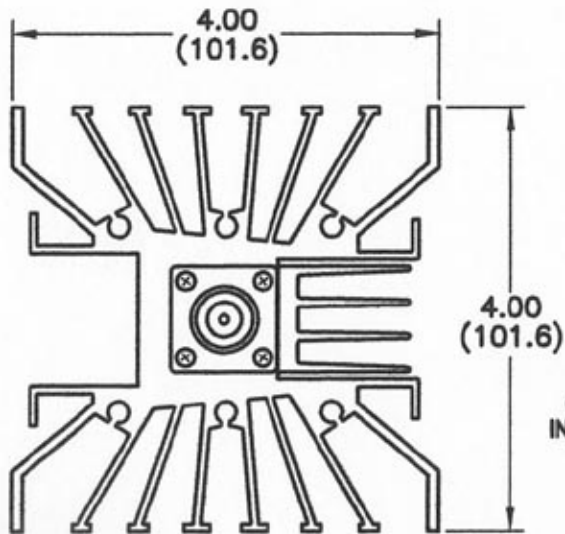


REVISIONS				
REV	DESCRIPTION	DATE	BY	ECO
A	ADDED MOUNTING SLOTS, REVISED PERFORMANCE SPECIFICATIONS	12-11-03	GVC	--
B	ADDED SECONDARY HEAT SINK	6-9-04	GVC	--
C	REVISED AVAILABLE ATTEN. VALUES	6-20-06	GVC	--



SPECIFICATIONS

FREQUENCY RANGE - DC TO 3.0 GHz
 IMPEDANCE - 50 OHMS
 ATTENUATION VALUE - 1-40dB IN ANY 1dB INCREMENT
 ACCURACY - DC TO 2.5 GHz: ±0.5dB 3-10dB, ±0.75dB 11-40dB,
 ±1.0dB 41-60dB, OR 3dB, WHICHEVER IS GREATER
 2.5 TO 3.0GHz: ±1.0dB 3-40dB, ±1.5dB 41-60dB

VSWR (1.5 GHz) - 1.15:1
 (2.4 GHz) - 1.20:1
 (3.0 GHz) - 1.25:1

INPUT POWER (AVG.) - 100 WATTS
 (PEAK) - 2000 WATTS

OPERATING TEMPERATURE - -55°C TO +125°C

CONNECTOR TYPES - TYPE N, TNC, 7/16
 MALE TO FEMALE (STANDARD)
 (TYPE N SHOWN)

.156(3.96) WIDE SLOT, 4 PLACES
 TOP AND BOTTOM OF UNIT

DIMENSIONS: (INCHES / MILLIMETERS)

TOLERANCES	
DEC.XX ± .03	FRAC ±
.XXX ± .005	ANG ±
MATERIAL	
FINISH	
DIMENSIONS ARE IN INCHES UNLESS OTHERWISE SPECIFIED.	

THE INFORMATION CONTAINED IN THIS DOCUMENT IS THE PROPERTY OF MICROWAVE DEVICES, INC. AND IS PROPRIETARY. IT IS NOT TO BE COPIED OR USED FOR ANY PURPOSE OTHER THAN AS INSTRUCTED, IN WRITING, BY MICROWAVE DEVICES, INC.			
SIGNATURES		DATE	
DR	G.V.Cothron	9-17-01	
CHK			
APPD			
APPD			

MICROWAVE DEVICES
 RF and Microwave Components

OUTLINE, MA-5100
 100 WATT ATTENUATOR

CAGE	SIZE	DRAWING NO.
60674	A	900251
DRAWING SCALE		SHEET 1 OF 1