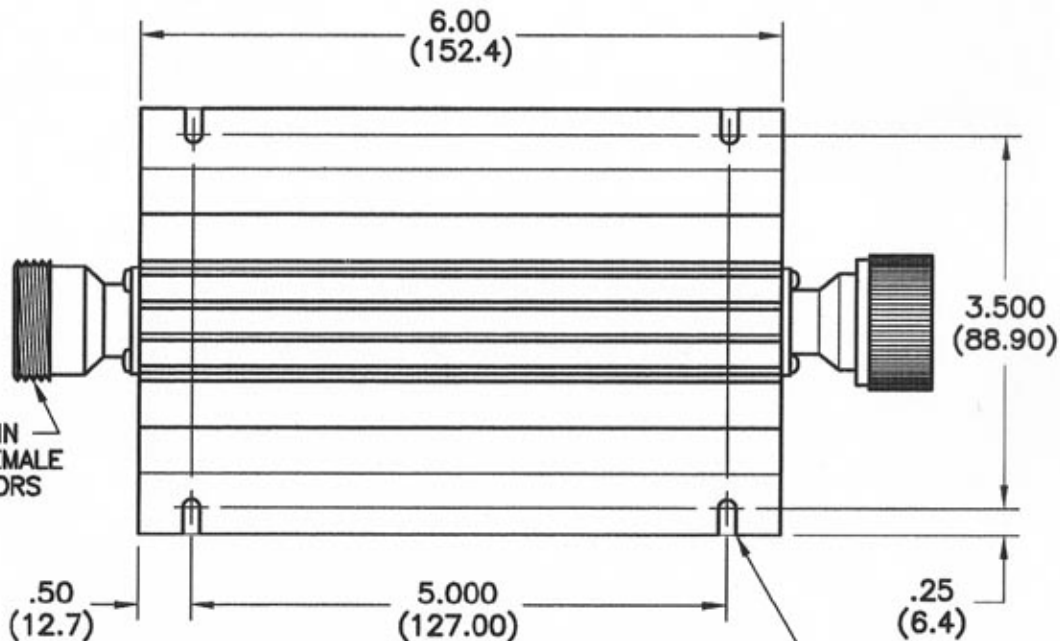
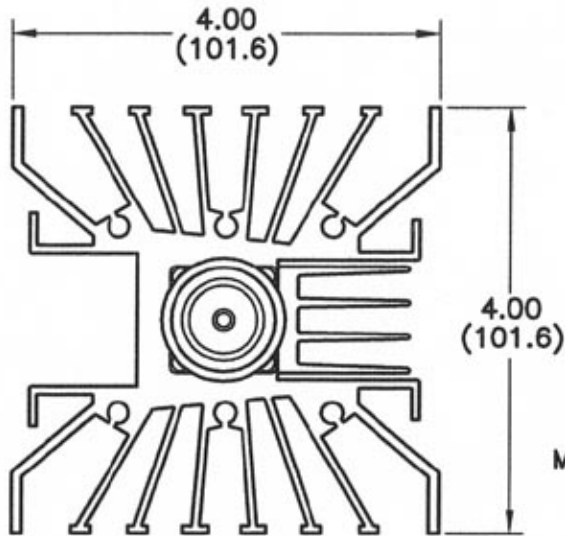


REVISIONS				
REV	DESCRIPTION	DATE	BY	ECO



7/16 DIN
MALE / FEMALE
CONNECTORS

.156(3.96) WIDE SLOT, 4 PLACES
TOP AND BOTTOM OF UNIT

SPECIFICATIONS

FREQUENCY RANGE - DC TO 3.0 GHz

IMPEDANCE - 50 OHMS

ATTENUATION VALUE - 1-40dB IN ANY 1dB INCREMENT

ACCURACY - DC TO 2.5 GHz: ±0.5dB 3-10dB, ±0.75dB 11-40dB,
±1.0dB 41-60dB, OR 3dB, WHICHEVER IS GREATER

2.5 TO 3.0GHz: ±1.0dB 3-40dB, ±1.5dB 41-60dB

VSWR (1.5 GHz) - 1.15:1
(2.4 GHz) - 1.20:1
(3.0 GHz) - 1.25:1

INPUT POWER (AVG.) - 100 WATTS
(PEAK) - 2000 WATTS

OPERATING TEMPERATURE - -55°C TO +125°C

CONNECTOR - 7/16 DIN MALE/FEMALE

DIMENSIONS: (INCHES / MILLIMETERS)

TOLERANCES	
DEC.XX ± .03	FRAC ±
.XXX ± .005	ANG ±
MATERIAL	
FINISH	
DIMENSIONS ARE IN INCHES UNLESS OTHERWISE SPECIFIED.	

THE INFORMATION CONTAINED IN THIS DOCUMENT IS THE PROPERTY OF MICROWAVE DEVICES, INC. AND IS PROPRIETARY. IT IS NOT TO BE COPIED OR USED FOR ANY PURPOSE OTHER THAN AS INSTRUCTED, IN WRITING, BY MICROWAVE DEVICES, INC.			
SIGNATURES		DATE	
DR	G.V.Cothron	3-1-07	
CHK			
APPD			
APPD			

Microwave Devices
RF and Microwave Components

**OUTLINE, MA-5100/XD7
100 WATT ATTENUATOR**

CAGE	SIZE	DRAWING NO.
60674	A	900251-2
DRAWING SCALE		SHEET 1 OF 1