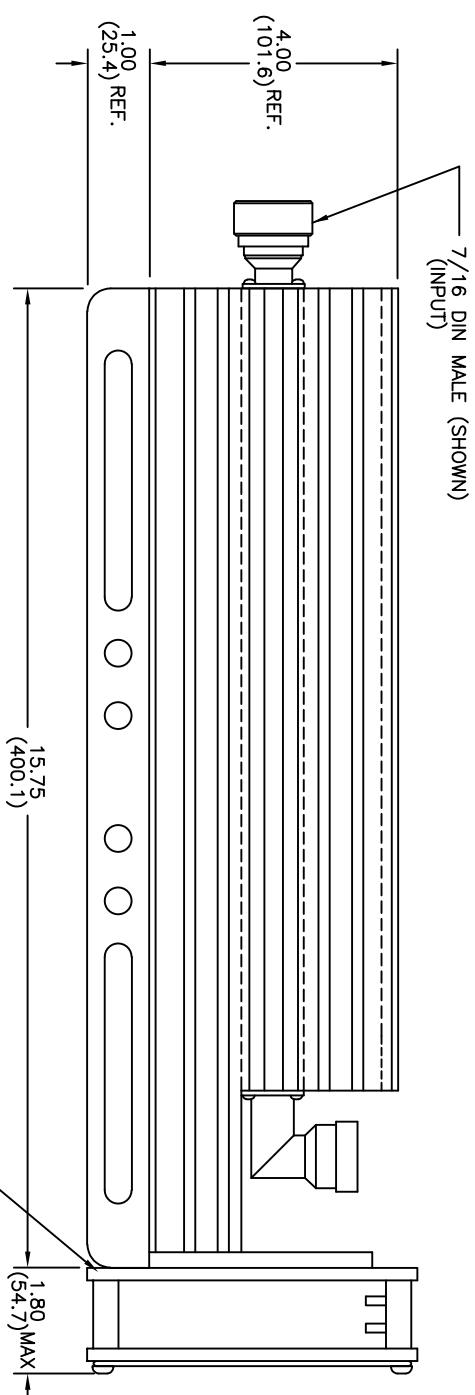
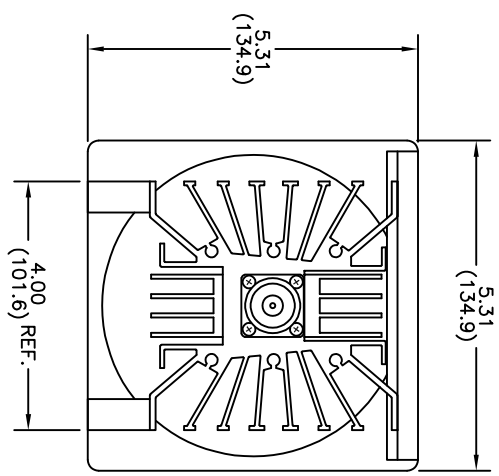
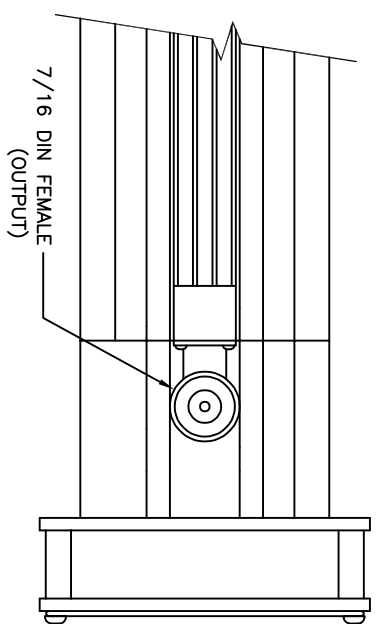


REV ZONE		REVISIONS			
REV	ZONE	DESCRIPTION	DATE	BY	ECO

**SPECIFICATIONS:**

FREQUENCY RANGE: DC TO 3.0 GHZ  
 IMPEDANCE: 50 OHMS  
 VSWR: 1.25:1 MAX DC - 1.0 GHZ  
 1.45:1 MAX 1.0 - 2.4 GHZ  
 1.55:1 MAX 2.4 - 3.0 GHZ  
 INPUT POWER: 1000 WATTS AVG.  
 2000 WATTS PEAK  
 ATTEN. ACCURACY: ± 0.50dB OR 3% (GREATER OF) DC TO 1.0 GHZ  
 ± 0.75dB OR 5% (GREATER OF) 1.0 TO 3.0 GHZ  
 AVAILABLE ATTENUATION: 10dB TO 60dB  
 OPERATING TEMPERATURE: -55°C TO +125°C  
 CONNECTORS: 7/16 DIN M/F  
 COOLING: 159 C.F.M. FORCED AIR FAN COOLED  
 110 VAC 60 HZ OR 220 VAC 50 HZ - AS REQUIRED



DIMENSIONS: (MILLIMETERS)

TOLERANCES		DECIMAL ± .10 FRACTION 1/64	
MATERIAL		THIS DOCUMENT IS THE PROPERTY OF MERQUANTE DEVICES, INC. IT IS NOT TO BE REPRODUCED OR USED FOR ANY PURPOSES WITHOUT THE WRITTEN PERMISSION OF MERQUANTE DEVICES, INC.	
FINISH	BLACK ANODIZE	DATE	11/7/11
DR	R. HARRISON	CHECKED	
APPROVED		DATE	
OUTLINE MA-51000/XD3 ATTENUATOR		CAGE CODE	60674 D
1000 WATTS, DC - 3.0 GHZ, 7/16 M/F		DRAWING NO.	902205
DRAWING SCALE 1:1		SHEET	1 OF 1

CONTACT MERQUANTE DEVICES - 240 N. FOSTER ST. DEERFIELD, IL 60015 (312) 953-8888

**MERQUANTE DEVICES**  
 Precision Microwave Components