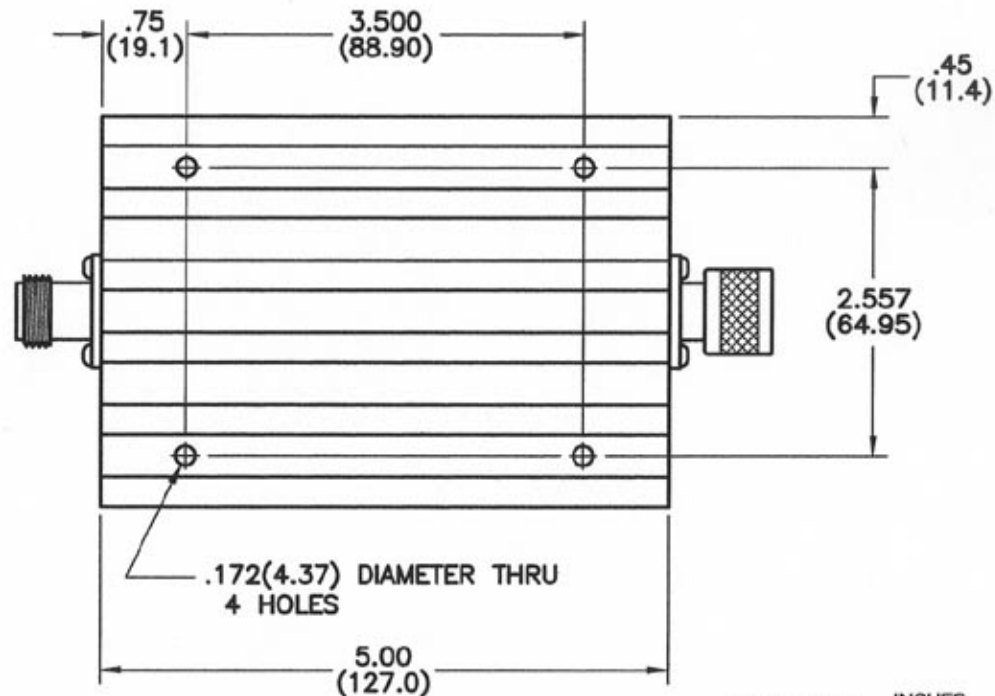
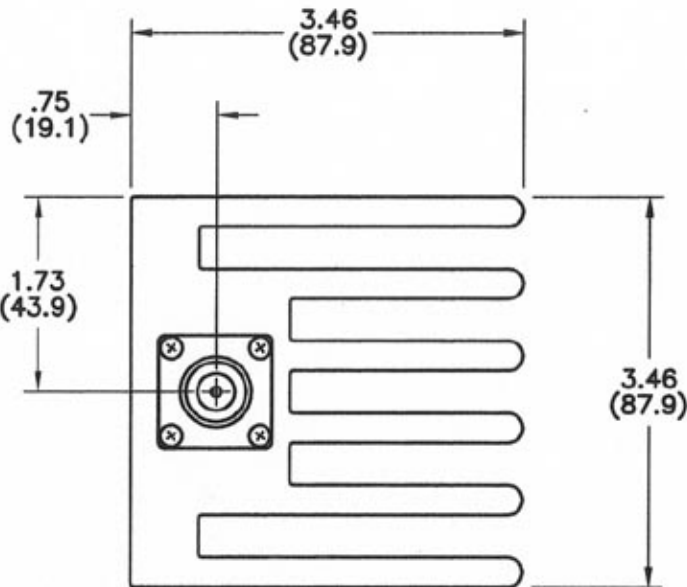


REVISIONS					
REV	ZONE	DESCRIPTION	DATE	BY	ECO
A	4D	.65(16.5) DIM. WAS .50(12.7)	1-20-05	GVC	---
	4A	DELETED 7/16 DIN CONN. OPTION			
B	4B	REVISED AVAILABLE ATTEN. VALUES	6-20-06	GVC	---
C	4D	.75(19.1) DIM. WAS .65(16.5)	3-5-07	GVC	---



SPECIFICATIONS

FREQUENCY RANGE - DC TO 3.0 GHz
 IMPEDANCE - 50 OHMS
 ATTENUATION VALUE - 1-40 dB IN ANY 1 dB INCREMENT
 ACCURACY : ± 0.5 dB 3 - 10 dB, ± 0.75 dB 20 - 40 dB
 VSWR (1.5 GHz) - 1.15:1
 (2.4 GHz) - 1.20:1
 (3.0 GHz) - 1.25:1
 INPUT POWER (AVG.) - 100 WATTS
 (PEAK) - 2000 WATTS
 OPERATING TEMPERATURE - -55°C TO $+125^{\circ}\text{C}$
 CONNECTOR TYPES - TYPE N OR TNC
 MALE TO FEMALE (STANDARD)
 (TYPE N SHOWN)

DIMENSIONS: INCHES (MILLIMETERS)

TOLERANCES	
DEC.XX ± .03	FRAC ±
XXX ± .010	ANG ±
MATERIAL	
FINISH	

THE INFORMATION CONTAINED IN THIS DOCUMENT IS THE PROPERTY OF MICROWAVE DEVICES, INC. AND IS PROPRIETARY. IT IS NOT TO BE COPIED OR USED FOR ANY PURPOSE OTHER THAN AS INSTRUCTED, IN WRITING, BY MICROWAVE DEVICES, INC.	
SIGNATURES	
DR	DATE
G.V.Cothren	2-11-04
CHK	
APPD	
APPD	

MICROWAVE DEVICES
RF and Microwave Components

**OUTLINE, ATTENUATOR
MA-5100L**

CAGE	SIZE	DRAWING NO.
60674	B	900463

DRAWING SCALE 1=1 SHEET 1 OF 1

CONTACT: MICROWAVE DEVICES - 1150 N. GRAHAM RD. FRANKLIN, IN 46131 (317) 736-8833

DIMENSIONS ARE IN INCHES UNLESS OTHERWISE SPECIFIED.