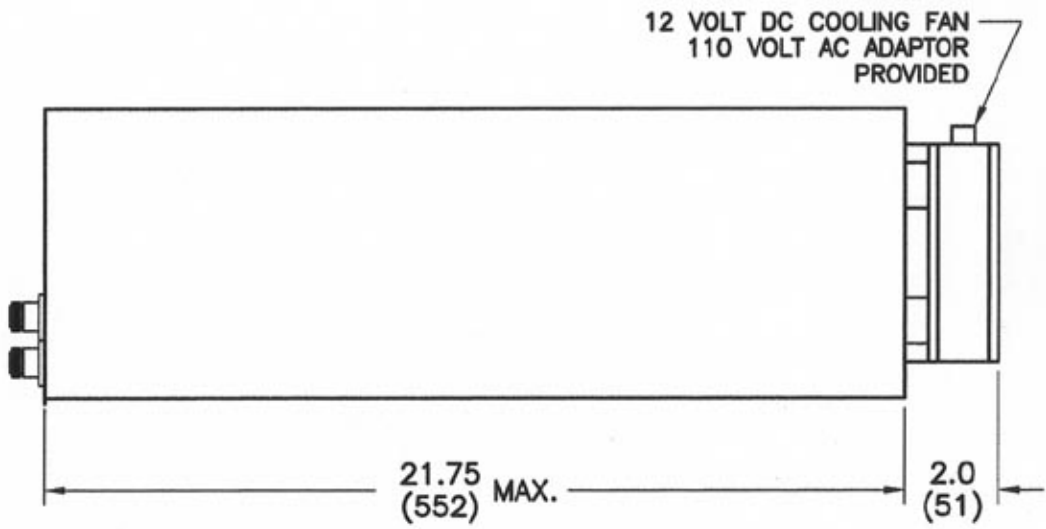
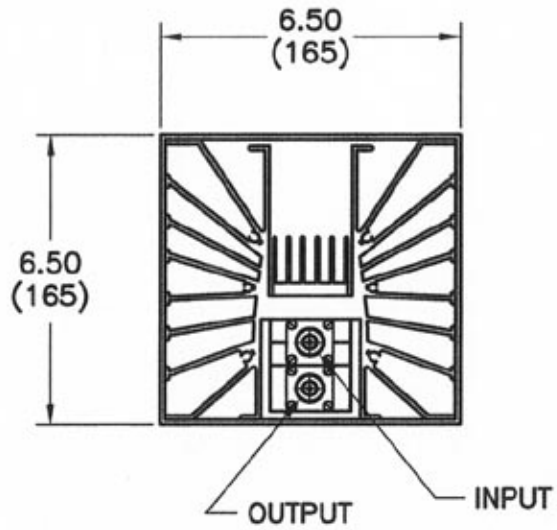


REVISIONS					
REV	ZONE	DESCRIPTION	DATE	BY	ECO



**SPECIFICATIONS:**

FREQUENCY RANGE: DC TO 500 MHz  
 IMPEDANCE: 50 OHMS  
 ATTENUATION VALUE: 3 TO 30 dB  
 VSWR (MAX): 1.25:1-DC TO 500 MHz  
 AVG. & PEAK POWER: 1.5kW MAX.  
 ACCURACY (GREATER OF): ±0.3 dB OR 3 %  
 CONNECTORS: TYPE N MALE AND/OR FEMALE (FEMALES SHOWN)  
 WEIGHT: 26 lbs (11.79kg) MAX.

DIMENSIONS: INCHES (MILLIMETERS)

TOLERANCES	
DEC.XX ± .05	FRAC ±
.X8 ± .1	ANG ±
MATERIAL	
FINISH	

**MICROWAVE DEVICES**  
RF and Microwave Components

MODEL MA-51500/XN  
FIXED ATTENUATOR, 1500 WATT

DR	G.V.Cothren	DATE	5-30-03
CHK			
APPD			
APPD			

CAGE	60674	SIZE	B	DRAWING NO.	900388
DRAWING SCALE				SHEET 1 OF 1	