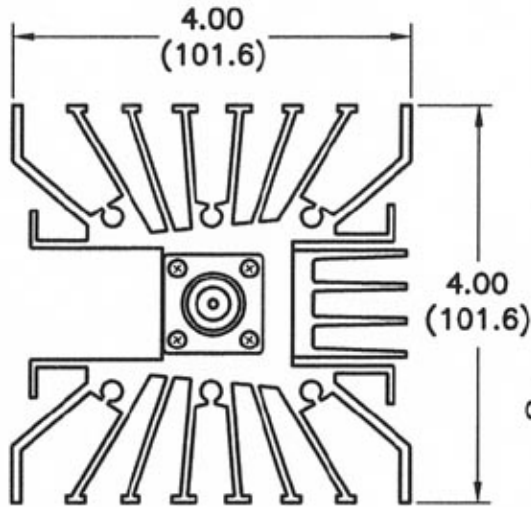
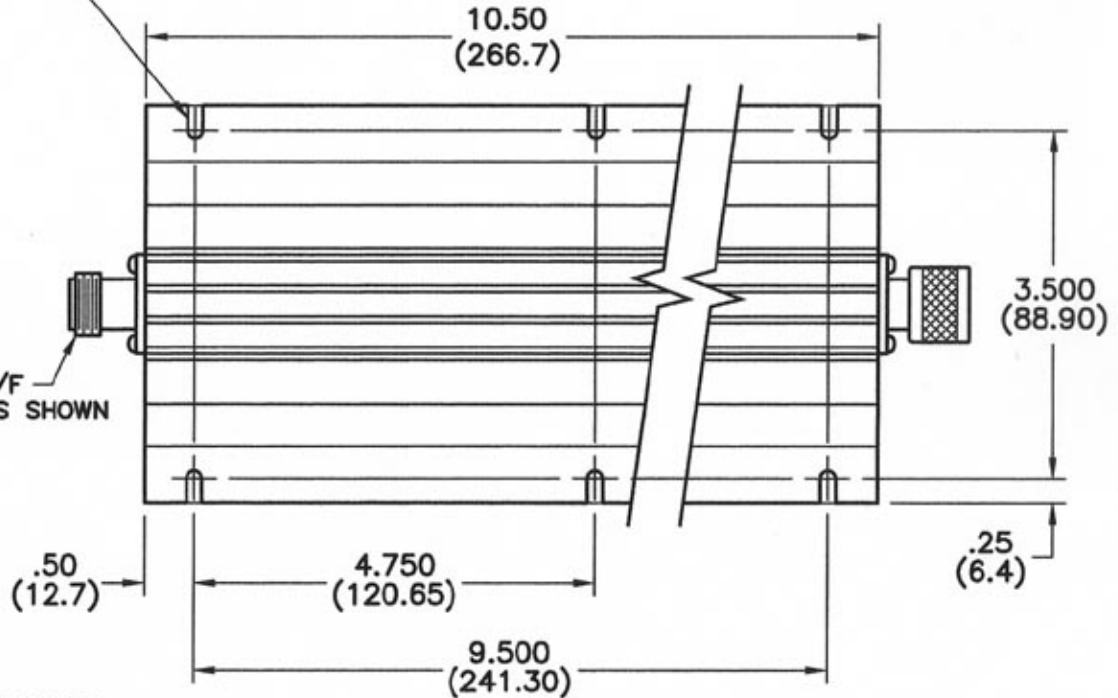


REVISIONS				
REV	DESCRIPTION	DATE	BY	ECO

.156(3.95) WIDE SLOT, 6 PLACES  
TOP AND BOTTOM OF UNIT



TYPE N M/F  
CONNECTORS SHOWN



**SPECIFICATIONS**

FREQUENCY RANGE - DC TO 3.0 GHz

IMPEDANCE - 50 OHMS

ATTENUATION VALUE - 1 TO 60 dB IN ANY 1 dB INCREMENT

ACCURACY - DC TO 2.4 GHz (GREATER OF)  $\pm 0.5$  dB OR 3%  
2.4 TO 3.0 GHz (GREATER OF)  $\pm 0.1.0$  dB OR 5%

VSWR (DC TO 2.4 GHz) - 1.20:1 MAX.

(2.4 TO 3.0 GHz) - 1.28:1 MAX.

INPUT POWER (AVG.) - 200 WATTS

(PEAK) - 2000 WATTS

OPERATING TEMPERATURE -  $-55^{\circ}\text{C}$  TO  $+125^{\circ}\text{C}$

CONNECTOR TYPES - TYPE N OR TNC  
(MALE/FEMALE, STD. CONFIG.)

DIMENSIONS: INCHES  
(MILLIMETERS)

TOLERANCES	
DEC.XX $\pm .03$	FRAC $\pm$
.XXX $\pm .010$	ANG $\pm 1'$
MATERIAL	
FINISH	
DIMENSIONS ARE IN INCHES UNLESS OTHERWISE SPECIFIED.	

THE INFORMATION CONTAINED IN THIS DOCUMENT IS THE PROPERTY OF MICROWAVE DEVICES, INC. AND IS PROPRIETARY. IT IS NOT TO BE COPIED OR USED FOR ANY PURPOSE OTHER THAN AS INSTRUCTED, IN WRITING, BY MICROWAVE DEVICES, INC.		
SIGNATURES		DATE
DR	G.V.Cothren	7-27-05
CHK		
APPD		
APPD		

<b>MICROWAVE DEVICES</b> RF and Microwave Components		
MA-5200, 200 WATT DC-3.0 GHz ATTENUATOR		
CAGE	SIZE	DRAWING NO.
60674	A	900546-2
DRAWING SCALE ~ ~		SHEET 1 OF 1