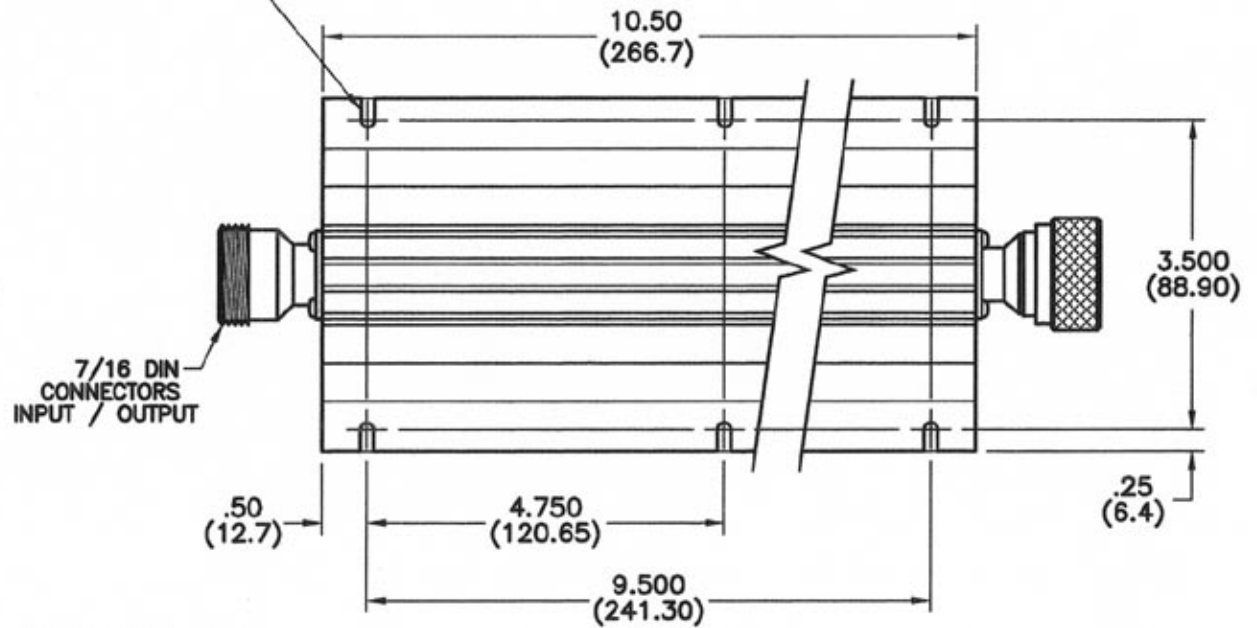
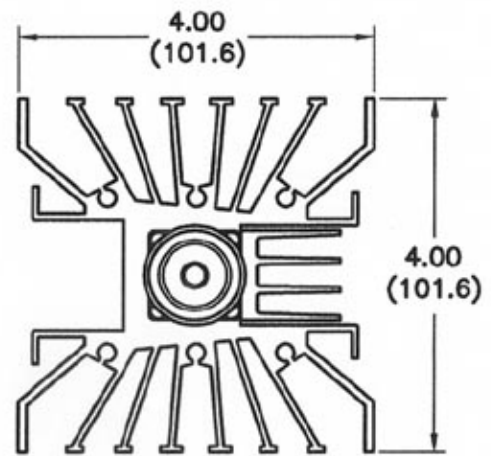


REVISIONS					
REV	ZONE	DESCRIPTION	DATE	BY	ECO

.156(3.95) WIDE SLOT, 6 PLACES
TOP AND BOTTOM OF UNIT



7/16 DIN
CONNECTORS
INPUT / OUTPUT

SPECIFICATIONS

- FREQUENCY RANGE - DC TO 3.0 GHz
- IMPEDANCE - 50 OHMS
- ATTENUATION VALUE - 1 TO 60 dB IN ANY 1 dB INCREMENT
- ACCURACY - DC TO 2.4 GHz (GREATER OF) ± 0.5 dB OR 3%
- 2.4 TO 3.0 GHz (GREATER OF) ± 0.75 dB OR 5%
- VSWR (DC TO 2.4 GHz) - 1.20:1 MAX.
- (2.4 TO 3.0 GHz) - 1.28:1 MAX.
- INPUT POWER (AVG.) - 200 WATTS
- (PEAK) - 2000 WATTS
- OPERATING TEMPERATURE - -55°C TO $+125^{\circ}\text{C}$
- CONNECTOR TYPES - 7/16 DIN, PLUG/JACK (STD. CONFIG.)

DIMENSIONS: INCHES
(MILLIMETERS)

TOLERANCES		THE INFORMATION CONTAINED IN THIS DOCUMENT IS THE PROPERTY OF MICROWAVE DEVICES, INC. AND IS PROPRIETARY. IT IS NOT TO BE COPIED OR USED FOR ANY PURPOSE OTHER THAN AS INSTRUCTED, IN WRITING, BY MICROWAVE DEVICES, INC.	SIGNATURES		DATE
DEC.XX $\pm .03$	FRAC \pm		DR	G.V.Coithron	3-1-07
.XXX $\pm .005$	ANG \pm		CHK		
MATERIAL			APPD		
FINISH		APPD			

MICROWAVE DEVICES
(an East Microwave Company)

**OUTLINE, MA-5200/XD7
DC-3.0 GHz ATTENUATOR**

CAGE CODE: 60674 B
DRAWING NO.: 900546-4
DRAWING SCALE: SHEET 1 OF 1

CONTACT: MICROWAVE DEVICES - 1150 N. GRAHAM RD. FRANKLIN, IN 48131
(317) 736-8833

DIMENSIONS ARE IN INCHES UNLESS OTHERWISE SPECIFIED.