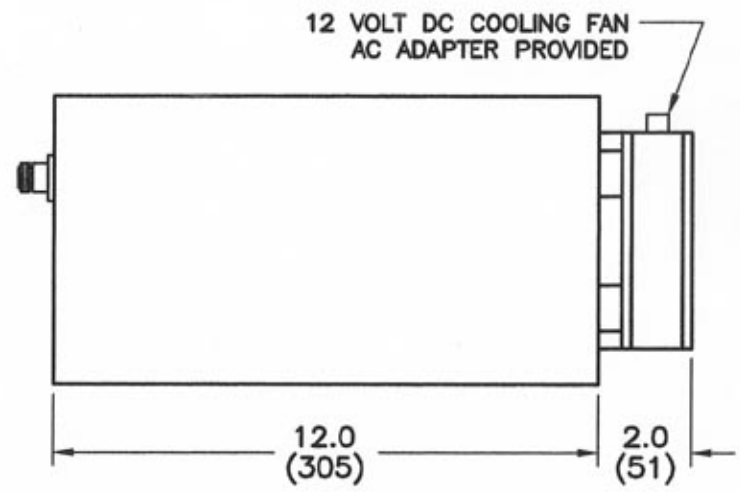
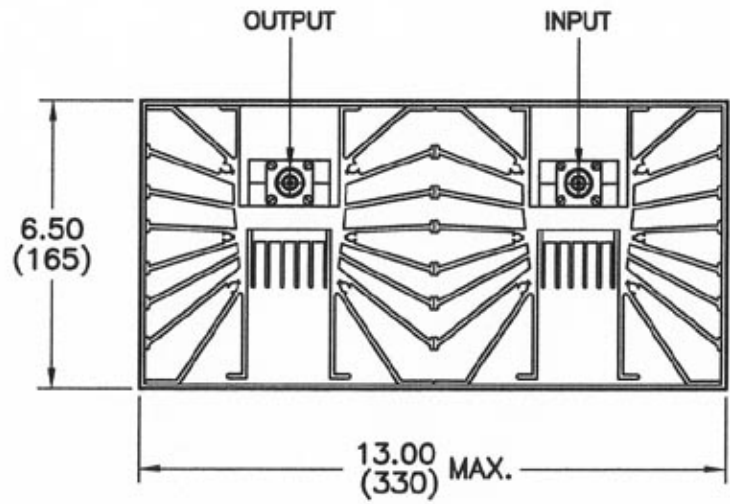


| REVISIONS |      |                         |         |     |     |
|-----------|------|-------------------------|---------|-----|-----|
| REV       | ZONE | DESCRIPTION             | DATE    | BY  | ECO |
| A         | 1D   | ADDED COOLING FAN NOTE  | 5-30-03 | GVC | --- |
| B         | ---  | ADDED METRIC DIMENSIONS | 6-26-08 | GVC | --- |



**SPECIFICATIONS:**

FREQUENCY RANGE: DC TO 500 MHz  
 IMPEDANCE: 50 OHMS  
 ATTENUATION: 3 TO 30 dB IN 1 dB STEPS  
 VSWR (MAX): 1.25:1-DC TO 500 MHz  
 AVG. & PEAK POWER: 2kW MAX.  
 WEIGHT: 25 lbs (11.34kg) MAX.  
 COOLING: CONVECTION W/ FORCED AIR  
 CONNECTORS: TYPE N, MALE AND/OR FEMALE (FEMALES SHOWN)

DIMENSIONS: INCHES (MILLIMETERS)

|              |        |   |  |        |
|--------------|--------|---|--|--------|
| TOLERANCES   |        | THE INFORMATION CONTAINED IN THIS DOCUMENT IS THE PROPERTY OF MICROWAVE DEVICES, INC. AND IS PROPRIETARY. IT IS NOT TO BE COPIED OR USED FOR ANY PURPOSE OTHER THAN AS INSTRUCTED, IN WRITING, BY MICROWAVE DEVICES, INC. | <br><small>RF and Microwave Components</small> |        |
| DEC.XX ± .05 | FRAC ± |   |  |        |
| X ± .1       | ANG ±  |   |  |        |
| MATERIAL     |        | SIGNATURES  |  | DATE   |
| FINISH       |        | DR R. Harmon  |  | 3-4-89 |
| CHK          |        | APPD  |  |        |
| APPD         |        | CAGE  |  | SIZE   |
| APPD         |        | 60674   |  | B      |
| APPD         |        | DRAWING NO.   |  | 900051 |
| APPD         |        | DRAWING SCALE   |  | ---    |
| APPD         |        | SHEET   |  | 1 OF 1 |

CONTACT: MICROWAVE DEVICES - 1150 N. GRAHAM RD. FRANKLIN, IN 48131 (317) 736-8833

DIMENSIONS ARE IN INCHES UNLESS OTHERWISE SPECIFIED.