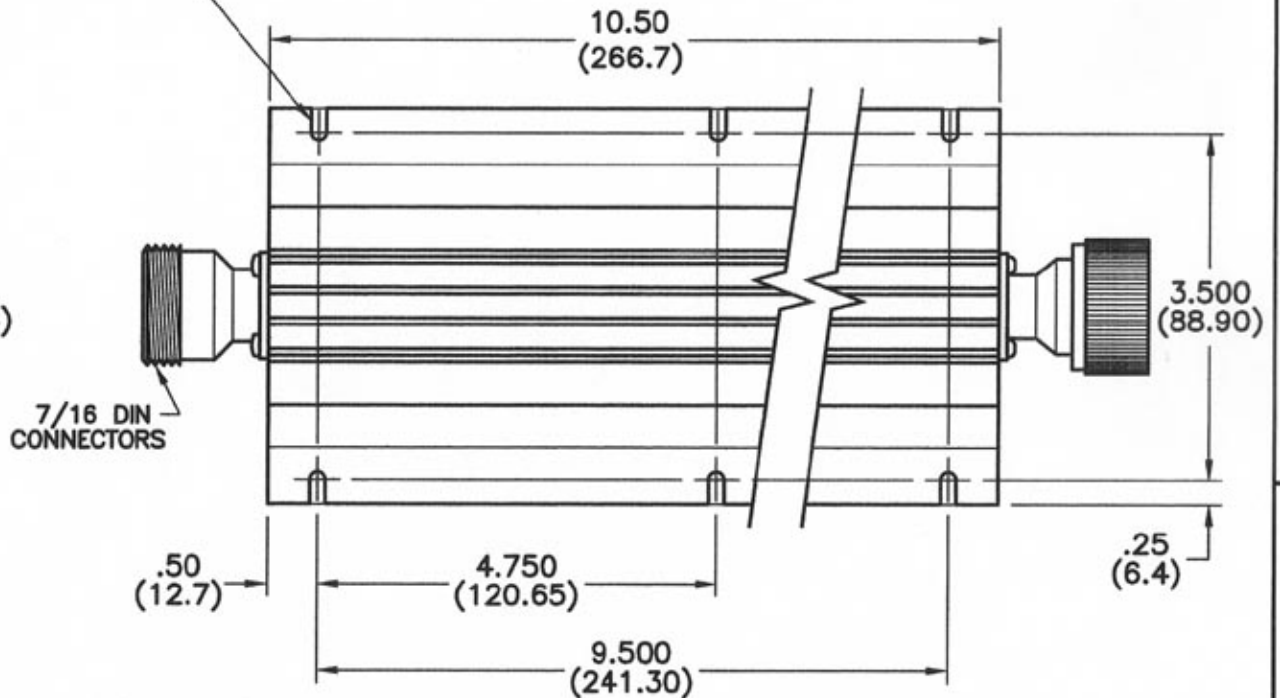
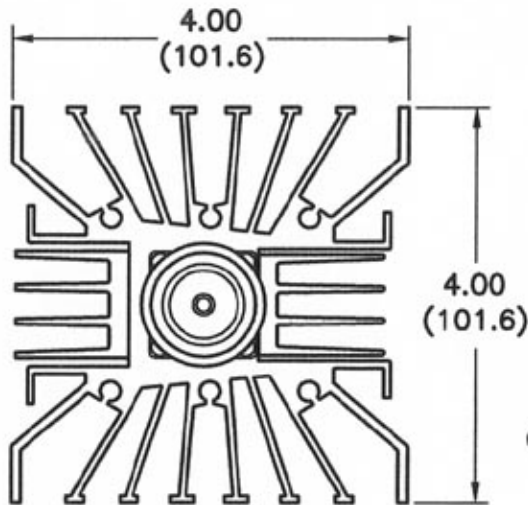


REVISIONS				
REV	DESCRIPTION	DATE	BY	ECO

.156(3.95) WIDE SLOT, 6 PLACES  
TOP AND BOTTOM OF UNIT



7/16 DIN  
CONNECTORS

**SPECIFICATIONS**

FREQUENCY RANGE - DC TO 3.0 GHz

IMPEDANCE - 50 OHMS

ATTENUATION VALUE - 1 TO 60 dB IN ANY 1 dB INCREMENT

ACCURACY - DC TO 2.4 GHz (GREATER OF) ±0.5 dB OR 3%  
2.4 TO 3.0 GHz (GREATER OF) ±0.75 dB OR 5%

VSWR (DC TO 1.0 GHz) - 1.15:1 MAX.  
(1.0 TO 2.4 GHz) - 1.20:1 MAX.  
(2.4 TO 3.0 GHz) - 1.28:1 MAX.

INPUT POWER (AVG.) - 250 WATTS  
(PEAK) - 2000 WATTS

OPERATING TEMPERATURE - -55°C TO +125°C

CONNECTOR TYPES - 7/16 DIN MALE/FEMALE

DIMENSIONS: INCHES  
(MILLIMETERS)

TOLERANCES	
DEC.XX ± .03	FRAC ±
.XXX ± .010	ANG ± 1°
MATERIAL	
FINISH	
DIMENSIONS ARE IN INCHES UNLESS OTHERWISE SPECIFIED.	

THE INFORMATION CONTAINED IN THIS DOCUMENT IS THE PROPERTY OF MICROWAVE DEVICES, INC. AND IS PROPRIETARY. IT IS NOT TO BE COPIED OR USED FOR ANY PURPOSE OTHER THAN AS INSTRUCTED, IN WRITING, BY MICROWAVE DEVICES, INC.			
SIGNATURES		DATE	
DR	G.V.Cothren	3-2-07	
CHK			
APPD			
APPD			

**MICROWAVE DEVICES**  
RF and Microwave Components

**MA-5250/XD7 ATTEN.**  
**250 W., DC-3 GHz**

CAGE	SIZE	DRAWING NO.
60674	A	900410-2

DRAWING SCALE ~ ~ SHEET 1 OF 1

CONTACT: MICROWAVE DEVICES - 1150 N. GRAHAM RD.  
(317) 736-8833 FRANKLIN, IN 46131