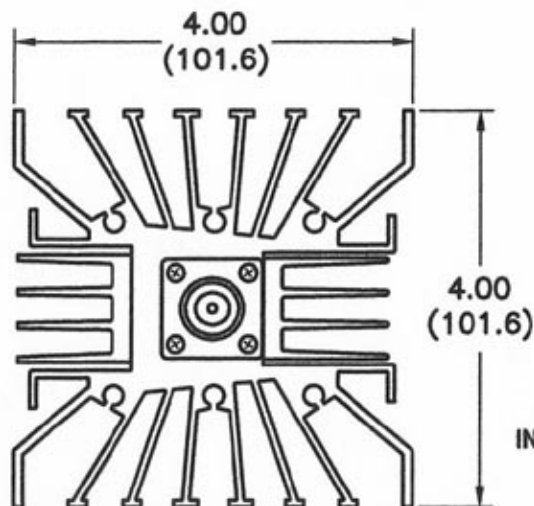
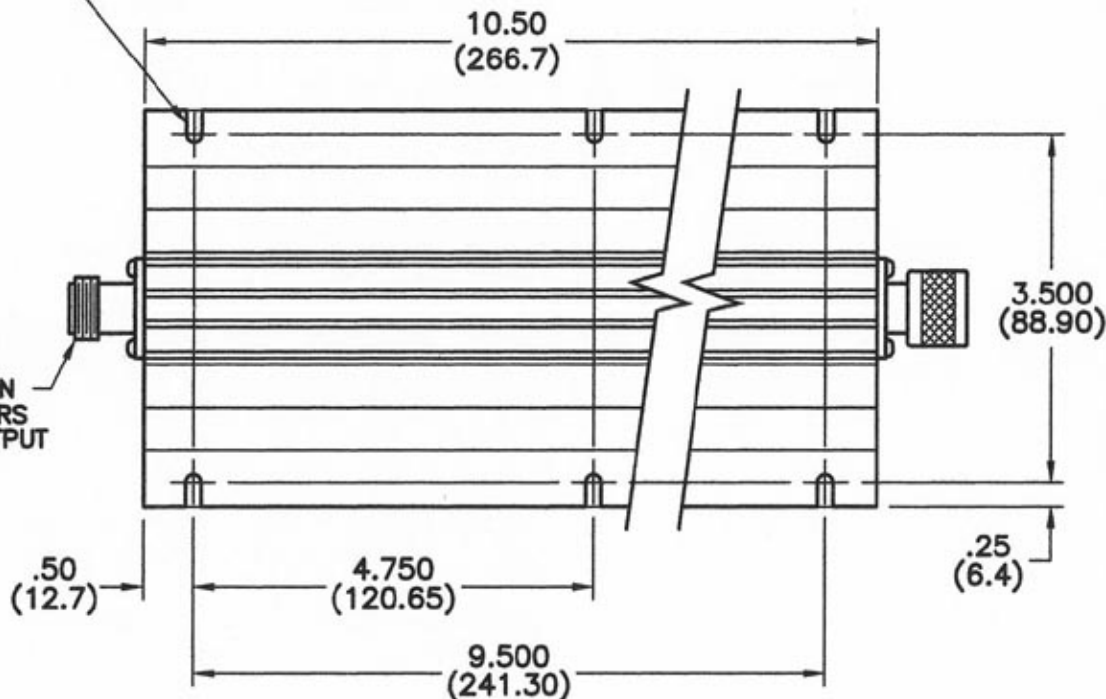


REVISIONS				
REV	DESCRIPTION	DATE	BY	ECO
A	REVISED VSWR SPECIFICATION	6-20-06	GVC	---

.156(3.95) WIDE SLOT, 6 PLACES
TOP AND BOTTOM OF UNIT



TYPE N
CONNECTORS
INPUT / OUTPUT



SPECIFICATIONS

FREQUENCY RANGE - DC TO 3.0 GHz

IMPEDANCE - 50 OHMS

ATTENUATION VALUE - 1 TO 60 dB IN ANY 1 dB INCREMENT

ACCURACY - DC TO 2.4 GHz (GREATER OF) ± 0.5 dB OR 3%
2.4 TO 3.0 GHz (GREATER OF) ± 0.75 dB OR 5%

VSWR (DC TO 2.4 GHz) - 1.20:1 MAX.
(2.4 TO 3.0 GHz) - 1.28:1 MAX.

INPUT POWER (AVG.) - 300 WATTS
(PEAK) - 2000 WATTS

OPERATING TEMPERATURE - -55°C TO $+125^{\circ}\text{C}$

CONNECTOR TYPES - TYPE N, PLUG OR JACK

DIMENSIONS: INCHES
(MILLIMETERS)

TOLERANCES	
DEC.XX $\pm .03$	FRAC \pm
.XXX $\pm .005$	ANG $\pm 1^{\circ}$
MATERIAL	
FINISH	
DIMENSIONS ARE IN INCHES UNLESS OTHERWISE SPECIFIED.	

THE INFORMATION CONTAINED IN THIS DOCUMENT IS THE PROPERTY OF MICROWAVE DEVICES, INC. AND IS PROPRIETARY. IT IS NOT TO BE COPIED OR USED FOR ANY PURPOSE OTHER THAN AS INSTRUCTED, IN WRITING, BY MICROWAVE DEVICES, INC.

SIGNATURES		DATE
DR	G.V.Cothren	7-27-05
CHK		
APPD		
APPD		

MICROWAVE DEVICES
RF and Microwave Components

MA-5300, 300 WATT
DC-3.0 GHz ATTENUATOR

CAGE	SIZE	DRAWING NO.
60674	A	900546-1
DRAWING SCALE $\sim\sim$		SHEET 1 OF 1