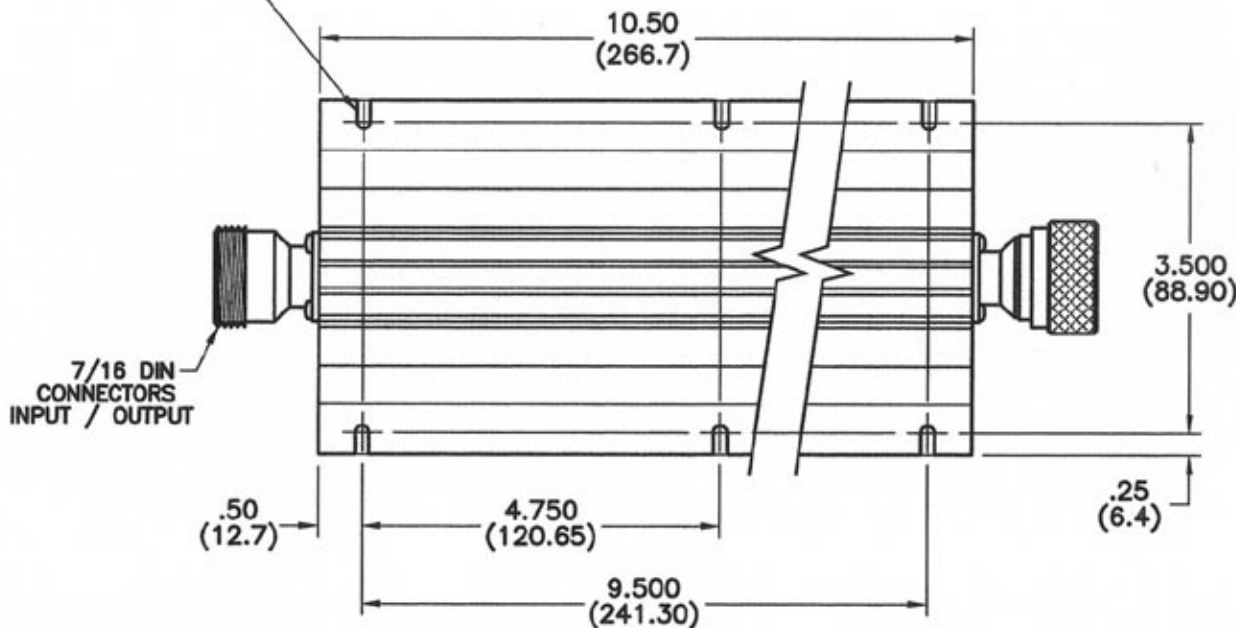
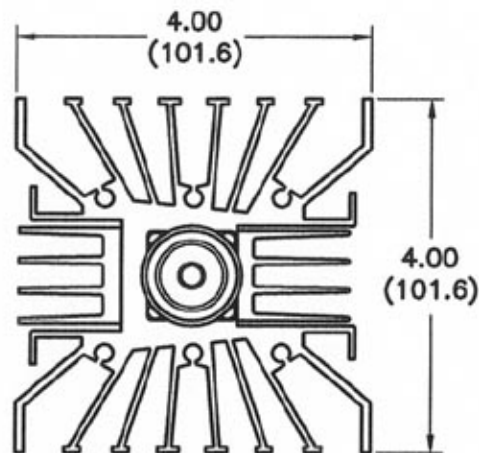


REVISIONS					
REV	ZONE	DESCRIPTION	DATE	BY	ECCO

.156(3.95) WIDE SLOT, 6 PLACES  
TOP AND BOTTOM OF UNIT



### SPECIFICATIONS

FREQUENCY RANGE - DC TO 3.0 GHz

IMPEDANCE - 50 OHMS

ATTENUATION VALUE - 1 TO 60 dB IN ANY 1 dB INCREMENT

ACCURACY - DC TO 2.4 GHz (GREATER OF)  $\pm 0.5$  dB OR 3%  
2.4 TO 3.0 GHz (GREATER OF)  $\pm 0.75$  dB OR 5%

VSWR (DC TO 2.4 GHz) - 1.20:1 MAX.  
(2.4 TO 3.0 GHz) - 1.28:1 MAX.

INPUT POWER (AVG.) - 300 WATTS  
(PEAK) - 2000 WATTS

OPERATING TEMPERATURE -  $-55^{\circ}\text{C}$  TO  $+125^{\circ}\text{C}$

CONNECTOR TYPES - 7/16 DIN, PLUG/JACK (STD. CONFIG.)

DIMENSIONS: INCHES  
(MILLIMETERS)

TOLERANCES		SIGNATURES		DATE
DEC.XI $\pm .03$	FRAC $\pm$	DR	G.V.Cothren	1-22-07
.XXX $\pm .005$	ANG $\pm$	CHK		
MATERIAL		APPD		
FINISH		APPD		

THE INFORMATION CONTAINED IN THIS DOCUMENT IS THE PROPERTY OF MICROWAVE DEVICES, INC. AND IS PROPRIETARY. IT IS NOT TO BE COPIED OR USED FOR ANY PURPOSE OTHER THAN AS INSTRUCTED, IN WRITING, BY MICROWAVE DEVICES, INC.

**MICROWAVE DEVICES**  
RF and Microwave Components

OUTLINE, MA-5300/XD7  
DC-3.0 GHz ATTENUATOR

CAGE	SIZE	DRAWING NO.	
60674	B	900546-3	
DRAWING SCALE		SHEET 1 of 1	

CONTACT: MICROWAVE DEVICES - 1150 N. GRAHAM RD.  
(317) 736-6633 FRANKLIN, IN 46131

DIMENSIONS ARE IN INCHES UNLESS OTHERWISE SPECIFIED.