

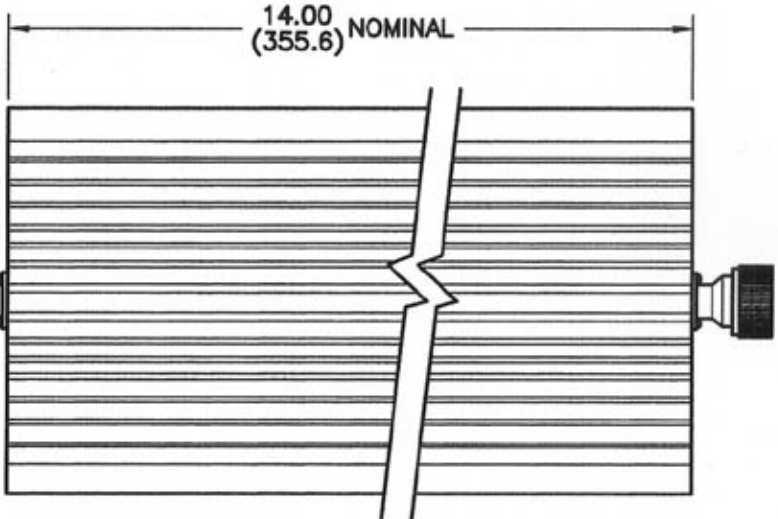
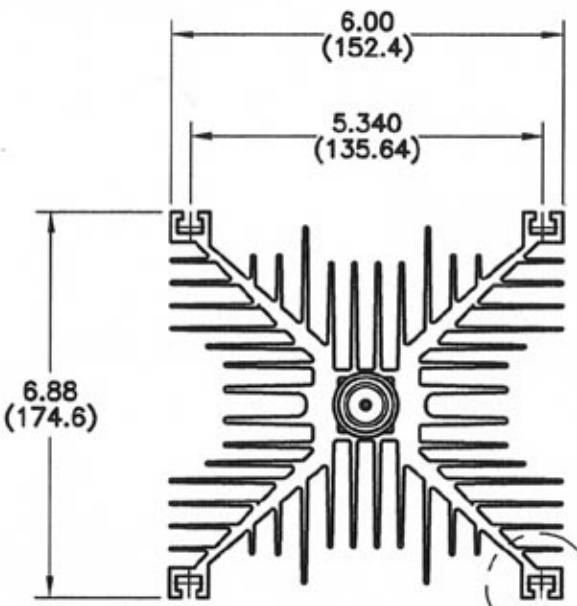
4

3

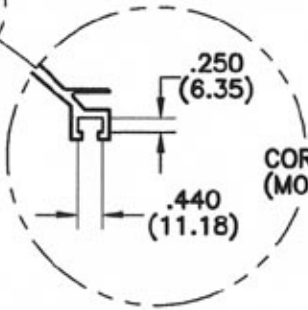
2

1

REVISIONS					
REV	ZONE	DESCRIPTION	DATE	BY	ECO



7/16 DIN M/F
SHOWN



CORNER DETAIL
(MOUNTING)

SPECIFICATIONS

- FREQUENCY RANGE - DC TO 2.4 GHz
- IMPEDANCE - 50 OHMS
- ATTENUATION VALUES - 3 TO 40dB
IN 1 dB STEPS
- VSWR (DC - 1.0 GHz) - 1.25:1
(1.0 - 2.4 GHz) - 1.35:1
- ATTENUATION ACCURACY
DC TO 1 GHz - ±0.3dB OR 3%, WHICHEVER IS GREATER
1 GHz TO 2.4 GHz - ±0.75dB OR 5%, WHICHEVER IS GREATER
- INPUT POWER (AVG.) - 500 WATTS
(PEAK) - 2000 WATTS
- CONNECTOR TYPES - 7/16 DIN, PLUG AND/OR JACK

DIMENSIONS: INCHES
(MILLIMETERS)

TOLERANCES		THE INFORMATION CONTAINED IN THIS DOCUMENT IS THE PROPERTY OF MICROWAVE DEVICES, INC. AND IS PROPRIETARY. IT IS NOT TO BE COPIED OR USED FOR ANY PURPOSE OTHER THAN AS INSTRUCTED, IN WRITING, BY MICROWAVE DEVICES, INC.	SIGNATURES		DATE
DEC:XX ± .05	FRAC ±		DR	G.V.Cothren	3-5-07
.XXX ± .020	ANG ±		CHK		
MATERIAL			APPD		
FINISH		APPD			

MICROWAVE DEVICES
RF and Microwave Components

**OUTLINE, MA-5500/XD7
COAXIAL ATTENUATOR**

CAGE	SIZE	DRAWING NO.	900444-1
60674	B		
DRAWING SCALE		SHEET 1 of 1	

CONTACT: MICROWAVE DEVICES - 1150 N. GRAHAM RD. FRANKLIN, IN 46131
(317) 736-8833

DIMENSIONS ARE IN INCHES UNLESS OTHERWISE SPECIFIED.

4

3

2

1