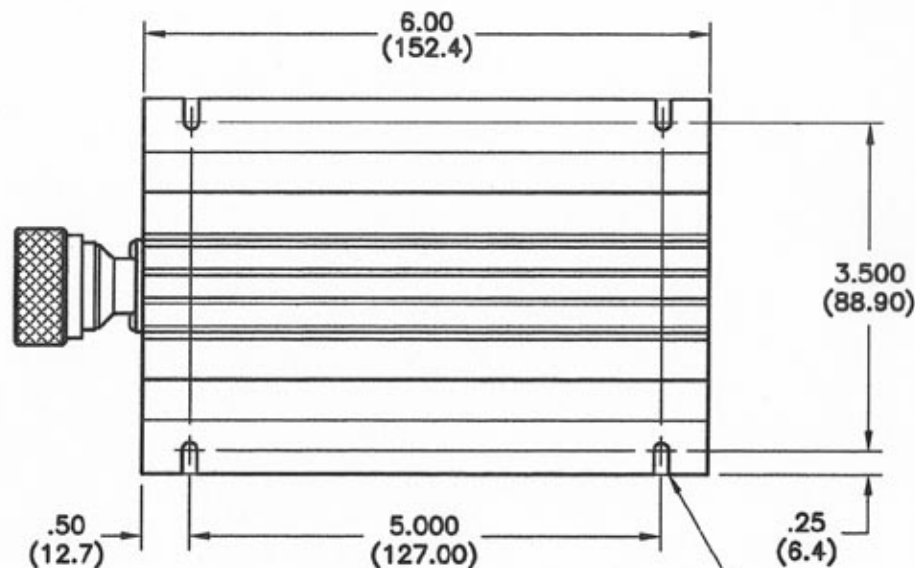
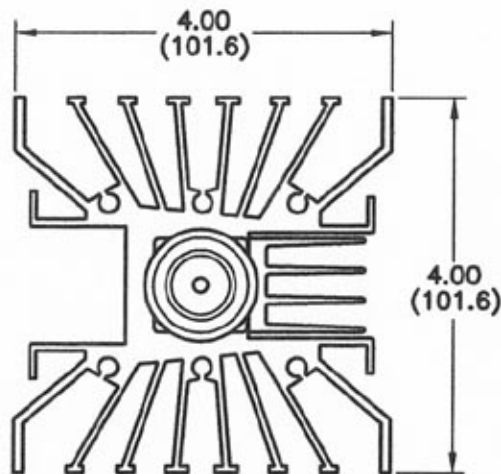


REVISIONS					
REV	ZONE	DESCRIPTION	DATE	BY	ECO



SPECIFICATIONS

FREQUENCY RANGE - DC TO 3.0 GHz

IMPEDANCE - 50 OHMS

VSWR (1.0 GHz) - 1.15:1

(2.4 GHz) - 1.20:1

(3.0 GHz) - 1.25:1

INPUT POWER (AVG.) - 100 WATTS

(PEAK) - 2000 WATTS

CONNECTOR - 7/16 DIN MALE

DIMENSIONS: INCHES
(MILLIMETERS)

TOLERANCES		THE INFORMATION CONTAINED IN THIS DOCUMENT IS THE PROPERTY OF MICROWAVE DEVICES, INC. AND IS PROPRIETARY. IT IS NOT TO BE COPIED OR USED FOR ANY PURPOSE OTHER THAN AS INSTRUCTED, IN WRITING, BY MICROWAVE DEVICES, INC.
DEC.XI ± .05	FRAC ±	
.XXX ± .010	ANG ±	
MATERIAL		
FINISH		SIGNATURES
DR	G.V.Cothren	DATE
CHK		4-1-00
APPD		
APPD		

MICROWAVE DEVICES
(RF and Microwave Components)

**OUTLINE, MODEL 6100
COAXIAL TERMINATION**

CAGE	SIZE	DRAWING NO.
60674	B	900068-2
DRAWING SCALE		SHEET 1 OF 1
1:1		

CONTACT: MICROWAVE DEVICES - 1150 N. GRAHAM RD. FRANKLIN, IN 46131
(317) 736-8833

DIMENSIONS ARE IN INCHES UNLESS OTHERWISE SPECIFIED.