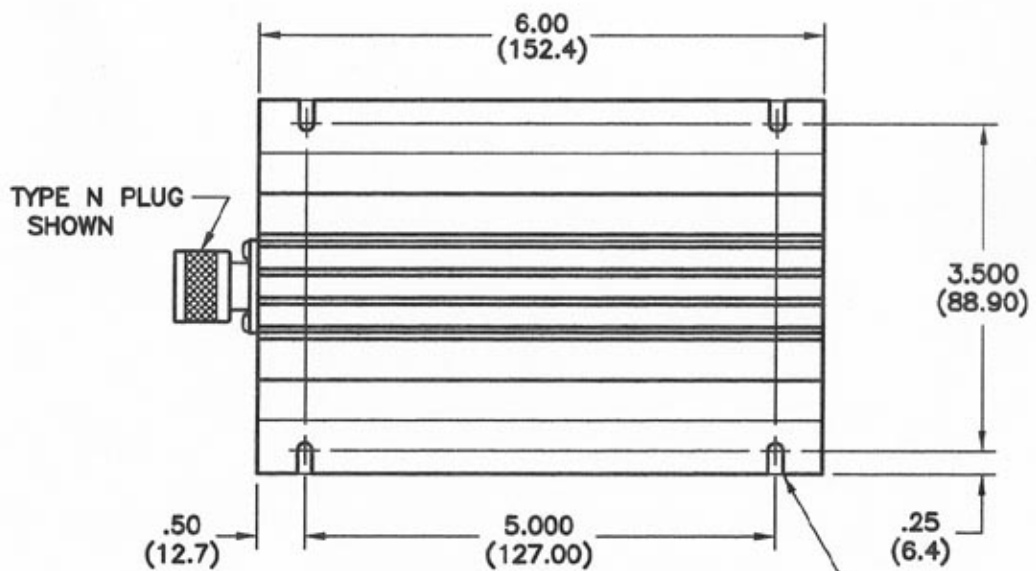
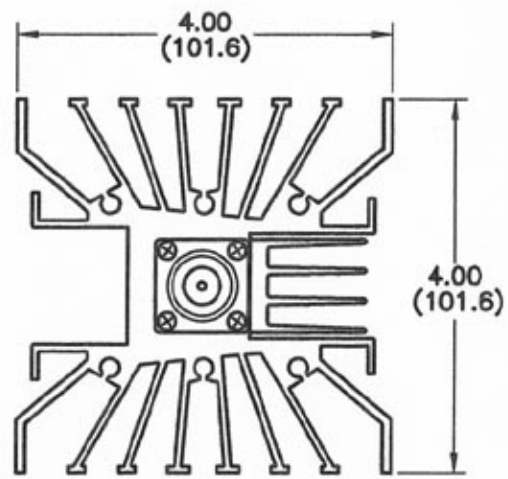


REVISIONS					
REV	ZONE	DESCRIPTION	DATE	BY	ECO
A	---	ADDED MGT. SLOTS DETAILS	10-22-04	GVC	---



SPECIFICATIONS

- FREQUENCY RANGE - DC TO 3.0 GHz
- IMPEDANCE - 50 OHMS
- VSWR (1.0 GHz) - 1.15:1
- (2.4 GHz) - 1.20:1
- (3.0 GHz) - 1.25:1
- INPUT POWER (AVG.) - 100 WATTS
- (PEAK) - 2000 WATTS
- CONNECTOR TYPES - BNC, TNC, N, SMA, 7/16 DIN PLUG OR JACK
- TYPE N PLUG SHOWN

.156(3.96) WIDE SLOT, 4 PLACES
TOP AND BOTTOM OF UNIT

DIMENSIONS: INCHES
(MILLIMETERS)

TOLERANCES		THE INFORMATION CONTAINED IN THIS DOCUMENT IS THE PROPERTY OF MICROWAVE DEVICES, INC. AND IS PROPRIETARY. IT IS NOT TO BE COPIED OR USED FOR ANY PURPOSE OTHER THAN AS INSTRUCTED, IN WRITING, BY MICROWAVE DEVICES, INC.
DEC.XX ± .05	FRAC ±	
.XXX ± .010	ANG ±	
MATERIAL		
FINISH		SIGNATURES
DR	D. HALL	DATE
CHK		4-21-86
APPD		
APPD		

MICROWAVE DEVICES
(RF and Microwave Components)

**OUTLINE, MODEL 6100
COAXIAL TERMINATION**

CAGE 60674 B DRAWING NO. 900068
DRAWING SCALE 1:1 SHEET 1 OF 1

CONTACT: MICROWAVE DEVICES - 1150 N. GRAHAM RD. FRANKLIN, IN 48131
(317) 736-8833

DIMENSIONS ARE IN INCHES UNLESS OTHERWISE SPECIFIED.