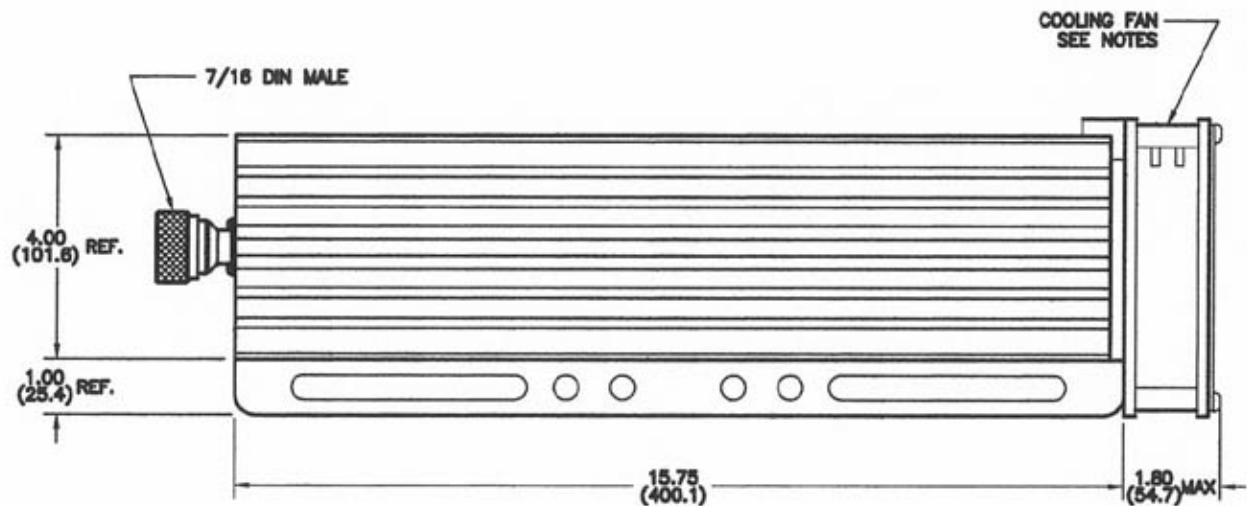
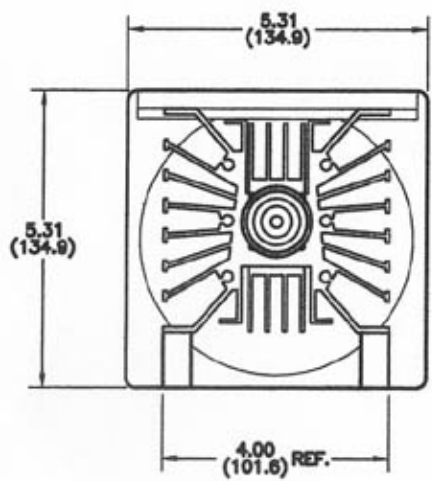


REVISIONS				
REV	ZONE	DESCRIPTION	DATE	BY ECO



SPECIFICATIONS

FREQUENCY RANGE - DC TO 3.0 GHz

IMPEDANCE - 50 OHMS

VSWR (1.0 GHz) - 1.20:1 MAX.

(2.4 GHz) - 1.30:1 MAX.

(3.0 GHz) - 1.40:1 MAX.

INPUT POWER (AVG.) - 1000 WATTS

(PEAK) - 2000 WATTS

OPERATING TEMPERATURE - -55°C TO +125°C

CONNECTOR - 7/16 DIN MALE

COOLING: 159 C.F.M. FORCED AIR FAN COOLED

115 V. - 50/60 Hz. OR

230 V. - 50/60 Hz. AS REQUIRED

DIMENSIONS: INCHES
(MILLIMETERS)

ITEM	PART NUMBER	DESCRIPTION	QTY.
ASSEMBLY LIST			
TOLERANCES DECIMALS .10 FRACTIONS ANGLES .000 ANGLES MATERIAL		THE INFORMATION CONTAINED IN THIS DOCUMENT IS THE PROPERTY OF MICROWAVE DEVICES, INC. AND IS LOANED TO YOU BY SPECIAL AGREEMENT. IT IS NOT TO BE COPIED OR USED FOR ANY PURPOSE OTHER THAN AS AUTHORIZED BY MICROWAVE DEVICES, INC.	
FINISH CRK APPV APPV		SIGNATURES DATE 3-21-88	MICROWAVE DEVICES (OF AND THROUGH COMPANIES) TERMINATION, 1000 WATT MODEL 81000D7-3 60674 D DRAWING SCALE 1:1 SHEET 1 OF 1