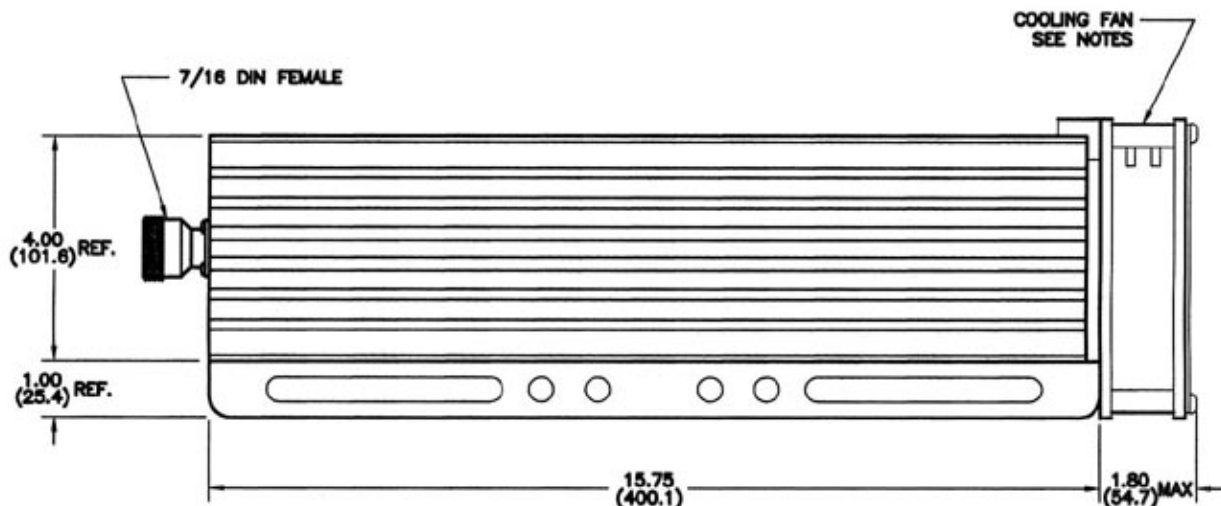
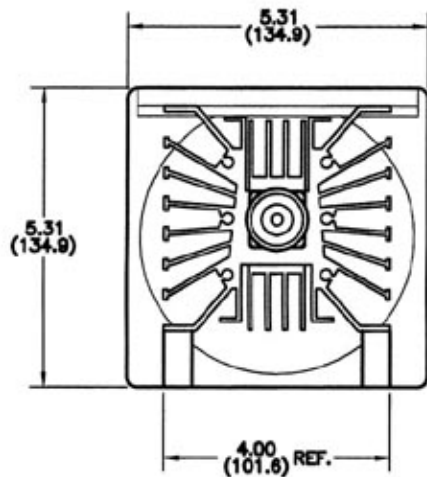


REVISIONS				
REV	ZONE	DESCRIPTION	DATE	BY ECO



COOLING FAN  
SEE NOTES

## SPECIFICATIONS

FREQUENCY RANGE - DC TO 2.4 GHz

IMPEDANCE - 50 OHMS

VSWR (1.0 GHz) - 1.20:1 MAX.

(2.4 GHz) - 1.30:1 MAX.

INPUT POWER (AVG.) - 1000 WATTS

(PEAK) - 2000 WATTS

OPERATING TEMPERATURE - -55°C TO +125°C

CONNECTOR - 7/16 DIN FEMALE

COOLING: 159 C.F.M. FORCED AIR FAN COOLED

115 V. - 50/60 Hz. OR

230 V. - 50/60 Hz. AS REQUIRED

DIMENSIONS: INCHES  
(MILLIMETERS)

ITEM	PART NUMBER	DESCRIPTION	QTY.
ASSEMBLY LIST			
TOLERANCES		THE INFORMATION CONTAINED IN THIS DOCUMENT IS THE PROPERTY OF MICROWAVE DEVICES, INC. AND IS PROPRIETARY. IT IS NOT TO BE COPIED OR USED FOR ANY PURPOSE OTHER THAN AS INTENDED, AS WRITTEN BY MICROWAVE DEVICES, INC.	
DECIMALS	.10 (FRAC)		
XXX'S	0.001 (ANG)		
MATERIAL			
SIGNATURES		DATE	
OR	G.V. Cochran	5-27-81	
CHK			
APP			
DRAWING SCALE		1:1	
DRAWING NO.		60674 D	
REV. NO.			
SHEET		1	OF 1

**MICROWAVE DEVICES**

TERMINATION, 1000 WATT  
MODEL 61000D7F

900746

CORPORATION MICROWAVE DEVICES - 1180 N. GARDNER BLVD. PHOENIX, AZ 85021 (602) 734-9833

DESIGNING AND BUYING OFFICES THROUGHOUT THE WORLD