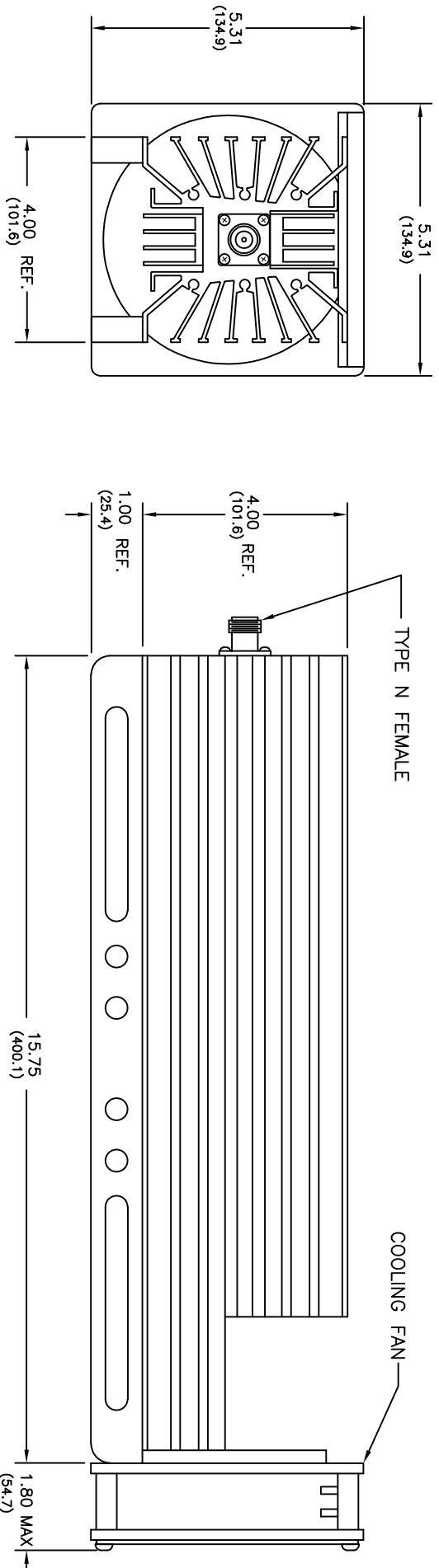


REVISIONS			
REV ZONE	DESCRIPTION	DATE	BY ECO
A	REVISED SPECIFICATIONS	6/8/17	RH



**SPECIFICATIONS:**

- FREQUENCY RANGE:** DC TO 3.0 GHz
- IMPEDANCE:** 50 OHMS
- VSWR:** 1.20:1 MAX DC TO 2.4 GHz  
1.25:1 MAX 2.4 TO 3.0 GHz
- POWER:** 1000 WATTS AVG.  $\Delta$   
2000 WATTS PEAK
- OPERATING TEMPERATURE:** -55°C TO +125°C
- CONNECTOR:** TYPE N FEMALE
- COOLING:** 159 C.F.M. FORCED AIR FAN COOLED  $\Delta$

**NOTES:**

- POWER DERATED TO 100 WATTS @ +125°C
- 110 VAC 50/60 Hz OR  
220 VAC 50/60 Hz AS REQUIRED

**DIMENSIONS: (MILLIMETERS)**

CONTACT INFORMATION: REVISED - 240 N. FOREST ST. FARMERS, N. 28131  
(517) 888-8888

© Microwave Devices Inc. 2023 All Rights Reserved.

ITEM	PART NUMBER	DESCRIPTION	QTY.
ASSEMBLY LIST			
<p><b>TOLERANCES</b> DECIMALS: .10" FINISH: 1/64" HOLE: .050" AND 3/32" MATERIAL</p> <p>THE INFORMATION CONTAINED IN THIS DOCUMENT IS THE PROPERTY OF MICROWAVE DEVICES INC. AND IS NOT TO BE REPRODUCED OR USED FOR ANY PURPOSE WITHOUT THE WRITTEN PERMISSION OF MICROWAVE DEVICES, INC.</p> <p><b>SIGNATURES</b> DATE: 3-25-08 G.Y. Coltrien</p> <p><b>DR</b> G.Y. Coltrien <b>CHK</b> <b>APP'D</b></p> <p><b>FINISH</b> BLACK ANODIZE</p> <p><b>DATE</b> 6-06-17 <b>60674 D</b></p> <p><b>TERMINATION, 1000 WATT MODEL 61000NF3</b></p> <p><b>DRAWING NO. 900745-3</b></p> <p><b>DRAWING SCALE 1:1</b></p>			

A

B

C

D

5

4

3

2

1