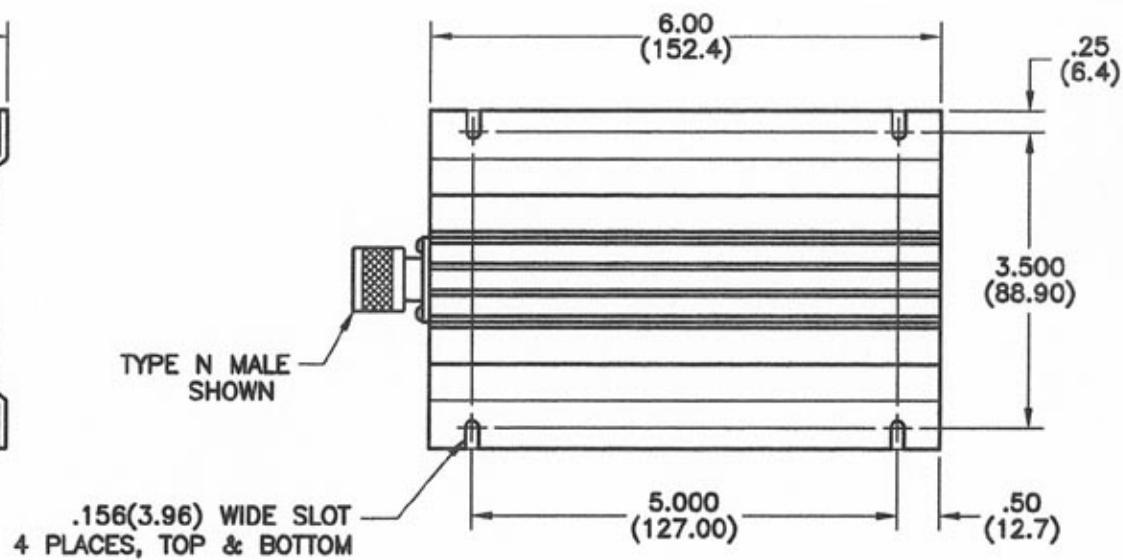
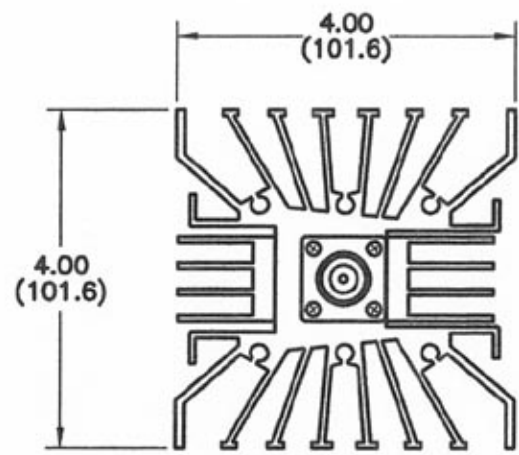


REVISIONS					
REV	ZONE	DESCRIPTION	DATE	BY	ECO
A	---	REDRAWN	2-23-04	GVC	---



SPECIFICATIONS

- FREQUENCY RANGE - DC TO 3.0 GHz
- IMPEDANCE - 50 OHMS
- VSWR (1.0 GHz) - 1.15:1
- (3.0 GHz) - 1.25:1
- INPUT POWER (AVG.) - 150 WATTS
- (PEAK) - 2000 WATTS
- OPERATING TEMPERATURE - -55°C TO +125°C
- CONNECTOR TYPES - TYPE N, TNC, 7/16 DIN, PLUG OR JACK
- TYPE N PLUG SHOWN

DIMENSIONS: INCHES (MILLIMETERS)

TOLERANCES		THE INFORMATION CONTAINED IN THIS DOCUMENT IS THE PROPERTY OF MICROWAVE DEVICES, INC. AND IS PROPRIETARY. IT IS NOT TO BE COPIED OR USED FOR ANY PURPOSE OTHER THAN AS INSTRUCTED, IN WRITING, BY MICROWAVE DEVICES, INC.
DECIMALS	FRACTIONS	
.05	1/16	
.010	ANG	
MATERIAL		SIGNATURES
FINISH		
DR	R. HARMON	DATE
CHK		2/14/08
APPD		
APPD		

MICROWAVE DEVICES
RF and Microwave Components

OUTLINE, TERMINATION MODEL 6150, 150 WATT

CAGE	SIZE	DRAWING NO.
60674	B	900125
DRAWING SCALE		SHEET 1 OF 1

CONTACT: MICROWAVE DEVICES - 1150 N. GRAHAM RD. FRANKLIN, IN 46131 (317) 738-8833

DIMENSIONS ARE IN INCHES UNLESS OTHERWISE SPECIFIED.