

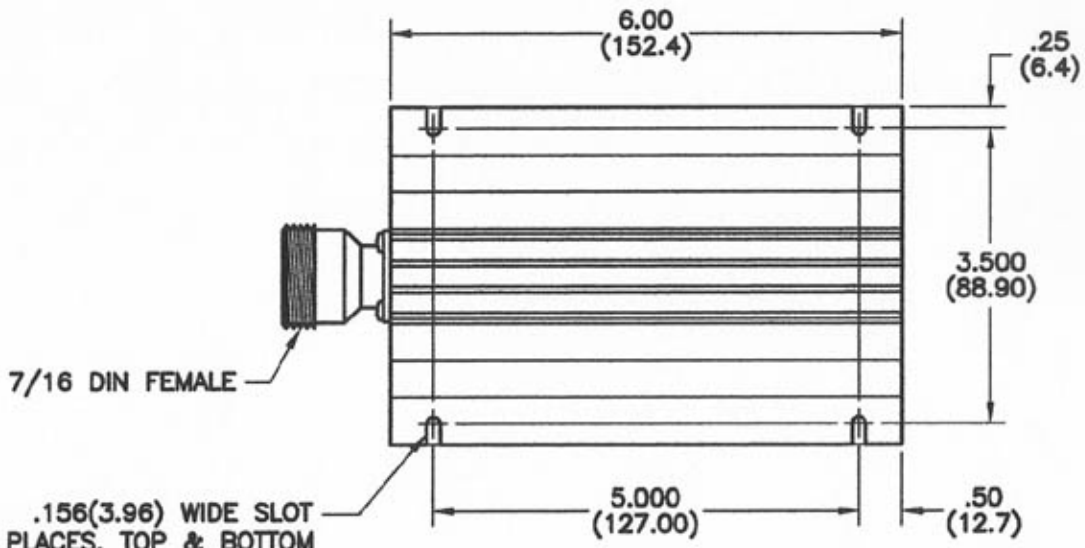
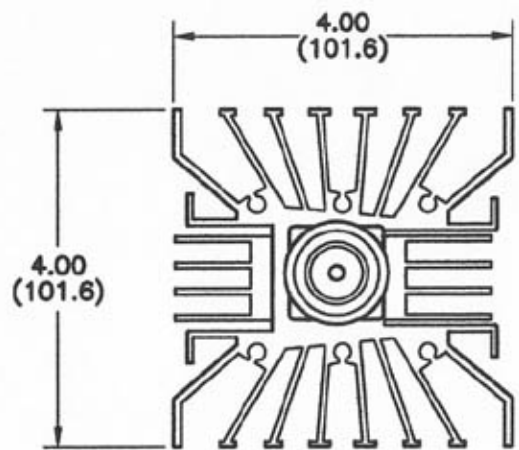
4

3

2

1

REVISIONS				
REV	ZONE	DESCRIPTION	DATE	BY ECO



SPECIFICATIONS

- FREQUENCY RANGE - DC TO 6.0 GHz
- IMPEDANCE - 50 OHMS
- VSWR (DC - 2.0 GHz) - 1.20:1
- (2.0 - 4.0 GHz) - 1.35:1
- (4.0 - 6.0 GHz) - 1.40:1
- INPUT POWER (AVG.) - 150 WATTS
- (PEAK) - 2000 WATTS

CONNECTOR TYPES - BNC, TNC, N, SMA, 7/16 DIN
PLUG OR JACK
(7/16 DIN JACK SHOWN)

.156(3.96) WIDE SLOT
4 PLACES, TOP & BOTTOM

CONTACT: MICROWAVE DEVICES - 1150 N. GRAHAM RD. FRANKLIN, IN 46131
(317) 736-8833

DIMENSIONS: INCHES
(MILLIMETERS)

TOLERANCES		THE INFORMATION CONTAINED IN THIS DOCUMENT IS THE PROPERTY OF MICROWAVE DEVICES, INC. AND IS PROPRIETARY. IT IS NOT TO BE COPIED OR USED FOR ANY PURPOSE OTHER THAN AS INSTRUCTED, IN WRITING, BY MICROWAVE DEVICES, INC.				
DECIMAL ± .02	FRACTION ±					
MATERIAL			SIGNATURES DATE			
FINISH			DR G.V.Cothren	12-1-68		
CHK		APPD		CAGE SIZE DRAWING NO.		
APPD		APPD		60674	B	900779-2
APPD		APPD		DRAWING SCALE		SHEET 1 OF 1

OUTLINE, TERMINATION,
MODEL 6150-7F-6

CAGE SIZE DRAWING NO.
60674 B 900779-2

4

3

2

1