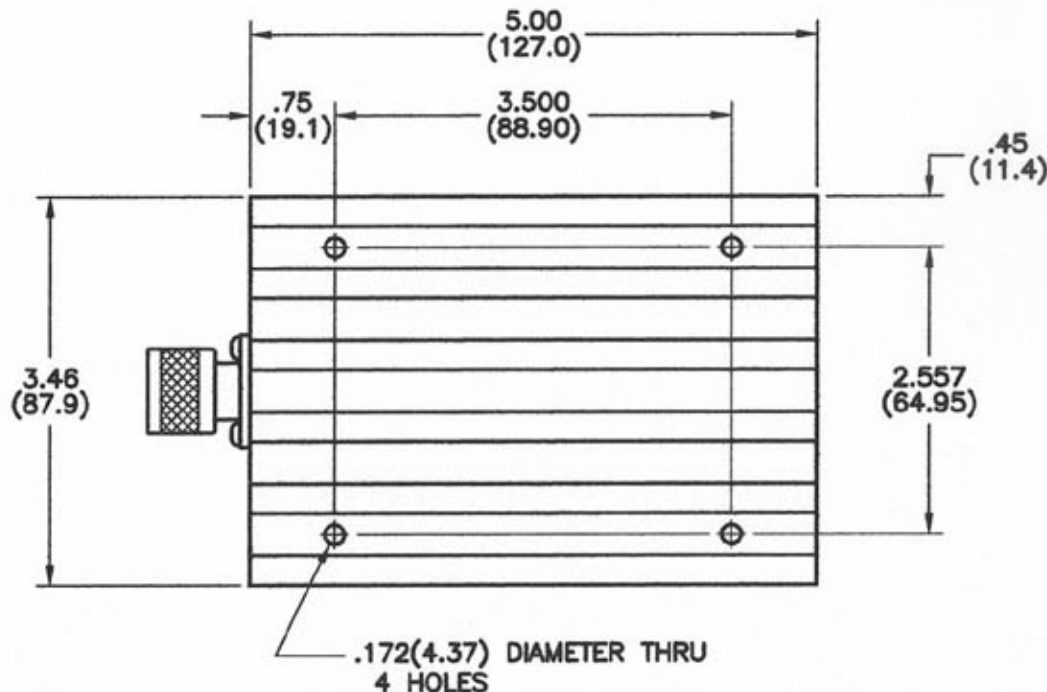
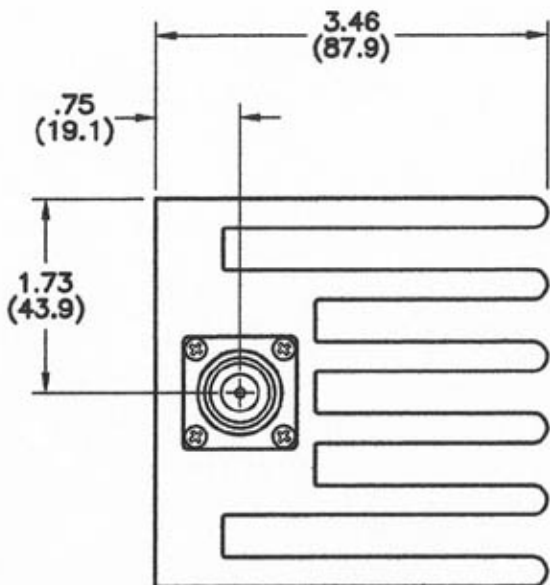


REVISIONS					
REV	ZONE	DESCRIPTION	DATE	BY	ECO
A	4D	.75(19.1) DIMENSION WAS .50(12.7)	8-8-08	GVC	--
	4A	REVISED VSWR SPECIFICATIONS			



**SPECIFICATIONS**

FREQUENCY RANGE - DC TO 3.0 GHz

IMPEDANCE - 50 OHMS

VSWR (DC TO 1.5 GHz) - 1.15:1

(1.5 TO 2.4 GHz) - 1.20:1

(2.4 TO 3.0 GHz) - 1.25:1

INPUT POWER (AVG.) - 150 WATTS

(PEAK) - 2000 WATTS

OPERATING TEMPERATURE - -55°C TO +125°C

CONNECTOR TYPES - TYPE N OR TNC, MALE OR FEMALE

(TYPE N MALE SHOWN)

DIMENSIONS: INCHES  
(MILLIMETERS)

TOLERANCES		THE INFORMATION CONTAINED IN THIS DOCUMENT IS THE PROPERTY OF MICROWAVE DEVICES, INC. AND IS PROPRIETARY. IT IS NOT TO BE COPIED OR USED FOR ANY PURPOSE OTHER THAN AS INSTRUCTED, IN WRITING, BY MICROWAVE DEVICES, INC.	
DEC.XX ± .03	FRAC ±	SIGNATURES	DATE
.000 ± .010	ANG ±	DR G.V.Coithron	3-25-08
MATERIAL		CHK	
FINISH		APPD	
		APPD	

**Microwave DEVICES**  
RF and Microwave Components

**OUTLINE, TERMINATION  
MODEL 6150L**

CAGE SIZE DRAWING NO.  
60674 B 900594

DRAWING SCALE 1=1 SHEET 1 OF 1

CONTACT: MICROWAVE DEVICES - 1150 N. GRAWHAM RD. DIMENSIONS ARE IN INCHES UNLESS OTHERWISE SPECIFIED.  
FRANKLIN, IN 48131 (317) 736-8833