

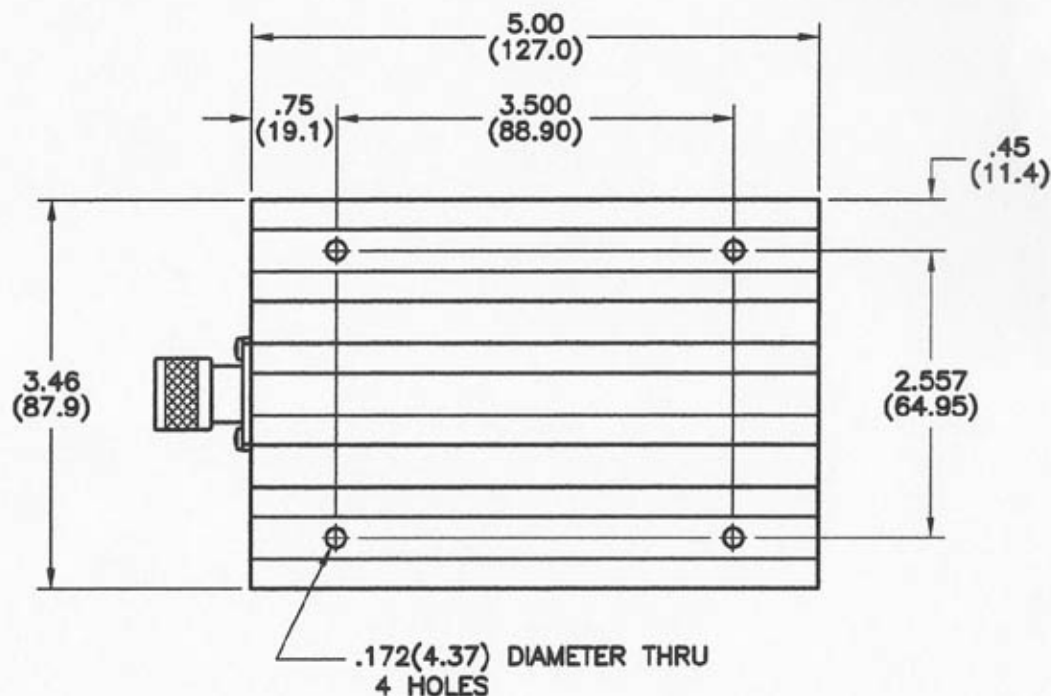
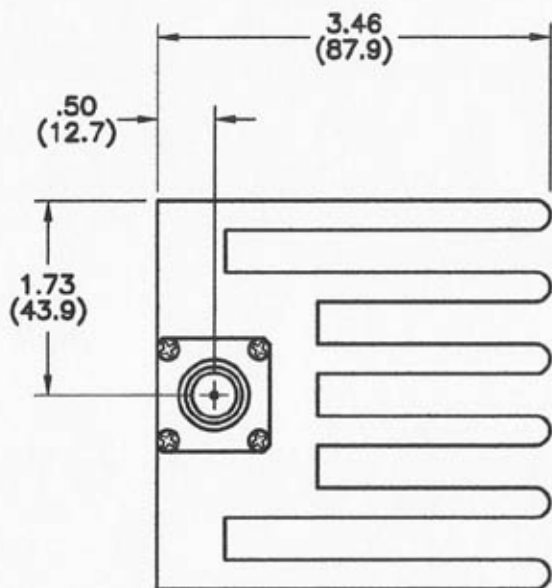
4

3

2

1

REVISIONS				
REV	ZONE	DESCRIPTION	DATE	BY ECO



### SPECIFICATIONS

FREQUENCY RANGE - DC TO 3.0 GHz

IMPEDANCE - 50 OHMS

VSWR DC TO 2.4 GHz - 1.20:1

2.4 TO 3.0 GHz - 1.28:1

INPUT POWER (AVG.) - 150 WATTS

(PEAK) - 2000 WATTS

OPERATING TEMPERATURE - -55°C TO +125°C

CONNECTOR TYPES - TYPE N OR TNC, MALE OR FEMALE

TNC MALE SHOWN

DIMENSIONS: INCHES  
(MILLIMETERS)

TOLERANCES		THE INFORMATION CONTAINED IN THIS DOCUMENT IS THE PROPERTY OF MICROWAVE DEVICES, INC. AND IS PROPRIETARY. IT IS NOT TO BE COPIED OR USED FOR ANY PURPOSE OTHER THAN AS INSTRUCTED, IN WRITING, BY MICROWAVE DEVICES, INC.
DEC.DX ± .03	FRACTION ±	
.XXX ± .010 ANG ±		
MATERIAL		
FINISH		
SIGNATURES		DATE
DR	G.V.Cothren	11-29-68
CHK		
APPD		
APPD		

**MICROWAVE DEVICES**  
(A Subsidiary of Sperry Corporation)

OUTLINE, TERMINATION  
MODEL 6150LT

CAGE SIZE DRAWING NO.  
60674 B 900594-2

DRAWING SCALE 1=1 SHEET 1 OF 1

CONTACT: MICROWAVE DEVICES - 1150 N. GRAHAM RD.  
(317) 756-8833 FRANKLIN, IN 46131

DIMENSIONS ARE IN INCHES UNLESS OTHERWISE SPECIFIED.

4

3

2

1