

4

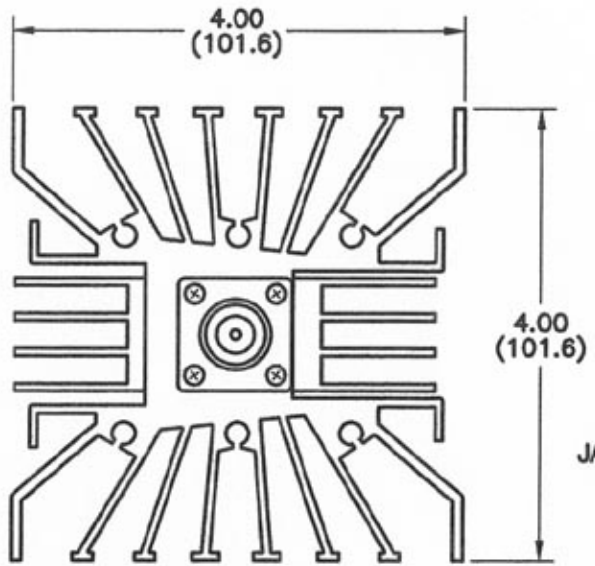
3

2

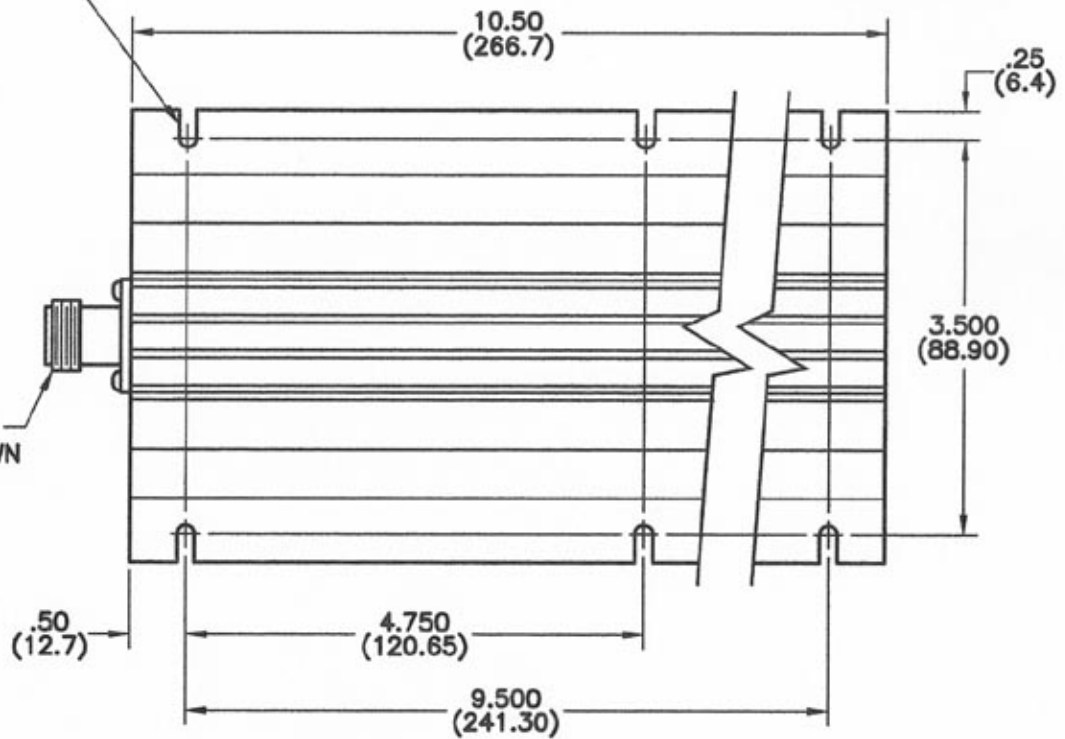
1

REVISIONS					
REV	ZONE	DESCRIPTION	DATE	BY	ECO
A	---	REMOVED FEET, REVISED DIMENSIONS	3-13-02	GVC	---
B	---	ADDED MTG. SLOTS AND METRIC DIMS.	8-24-04	GVC	---

.156(3.96) WIDE SLOT
6 PLACES, TOP & BOTTOM



TYPE N
JACK SHOWN



SPECIFICATIONS

FREQUENCY RANGE - DC TO 3.0 GHz

IMPEDANCE - 50 OHMS

VSWR (1.0 GHz) - 1.15:1

(2.4 GHz) - 1.20:1

(3.0 GHz) - 1.28:1

INPUT POWER (AVG.) - 250 WATTS

(PEAK) - 2000 WATTS

OPERATING TEMPERATURE - -55°C TO +125°C

CONNECTOR TYPES - TYPE N, TNC, 7/16 DIN, PLUG OR JACK

WEIGHT - ~ 6.5 lbs

DIMENSIONS: INCHES
(MILLIMETERS)

TOLERANCES		THE INFORMATION CONTAINED IN THIS DOCUMENT IS THE PROPERTY OF MICROWAVE DEVICES, INC. AND IS PROPRIETARY. IT IS NOT TO BE COPIED OR USED FOR ANY PURPOSE OTHER THAN AS INSTRUCTED, IN WRITING, BY MICROWAVE DEVICES, INC.	SIGNATURES		DATE
DEC.XX ± .05	FRAC ±		DR R. Harman		4-21-88
.XXX ± .010	ANG ±		CHK		
MATERIAL			APPD		
FINISH		APPD			

MICROWAVE DEVICES
for and Microwave Components

MODEL 6250
TERMINATION, 250 WATT

CAGE 60674 SIZE B DRAWING NO. 900004

DRAWING SCALE 1:1 SHEET 1 OF 1

CONTACT: MICROWAVE DEVICES - 1150 N. GRAHAM RD.
FRANKLIN, IN 46131
(317) 738-8833

DIMENSIONS ARE IN INCHES UNLESS OTHERWISE SPECIFIED.

4

3

2

1