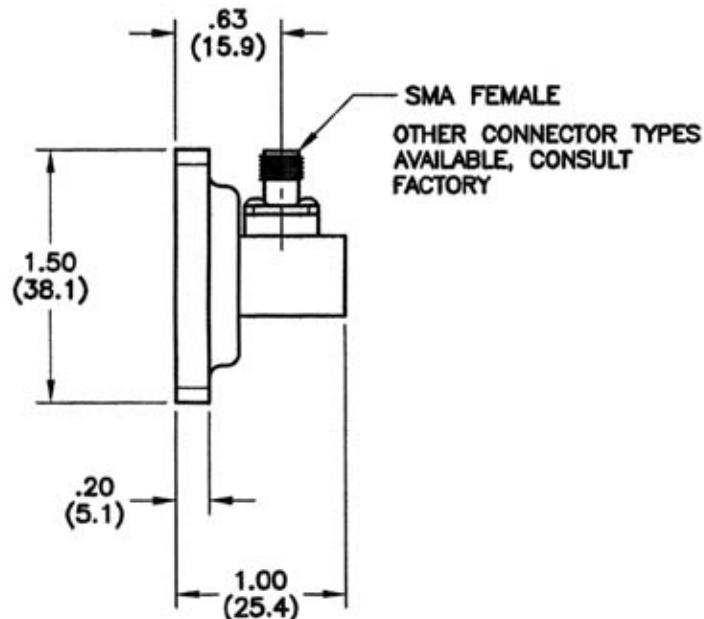
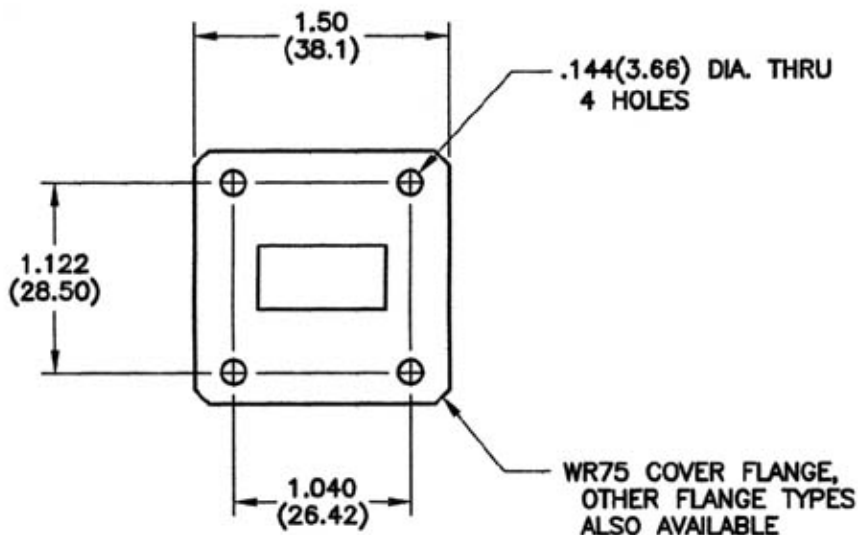


REVISIONS				
REV	ZONE	DESCRIPTION	DATE	BY ECO
A	4A	ADDED SPECIFICATIONS	8-10-09	GVC ---



### SPECIFICATIONS

FREQUENCY RANGE: 10.0 TO 15.0 GHz  
 INSERTION LOSS: 0.25 dB MAX.  
 VSWR: 1.15:1 NOM., 1.25:1 MAX. (ENTIRE BAND)  
 POWER RATING: 50 W. AVG., 3.0 kW PEAK  
 CONNECTOR: SMA FEMALE  
 MATERIAL: ALUMINUM, STD. - BRASS OR COPPER AVAILABLE  
 FINISH: YELLOW CHROMATE (IRIDITE) PAINTED FINISHES AVAILABLE

DIMENSIONS: INCHES  
(MILLIMETERS)

TOLERANCES		THE INFORMATION CONTAINED IN THIS DOCUMENT IS THE PROPERTY OF MICROWAVE DEVICES, INC. AND IS PROPRIETARY. IT IS NOT TO BE COPIED OR USED FOR ANY PURPOSE OTHER THAN AS INSTRUCTED, IN WRITING, BY MICROWAVE DEVICES, INC.
DEC.JO ± .03	FRAC ±	
.XXX ± .010	ANG ±	
MATERIAL		SIGNATURES
FINISH		
DR	G.V.Cothren	DATE
CHK		7-8-07
APPD		
APPD		

**MICROWAVE DEVICES**  
RF and Microwave Components

ADAPTER, WAVEGUIDE TO  
 COAX, WA75-SF-C

CAGE 60674 B SIZE B DRAWING NO. 900685  
 DRAWING SCALE 1.5:1 SHEET 1 OF 1

CONTACT: MICROWAVE DEVICES - 1150 N. GRAHAM RD.  
 (317) 736-8833 FRANKLIN, IN 48131

DIMENSIONS ARE IN INCHES UNLESS  
 OTHERWISE SPECIFIED.